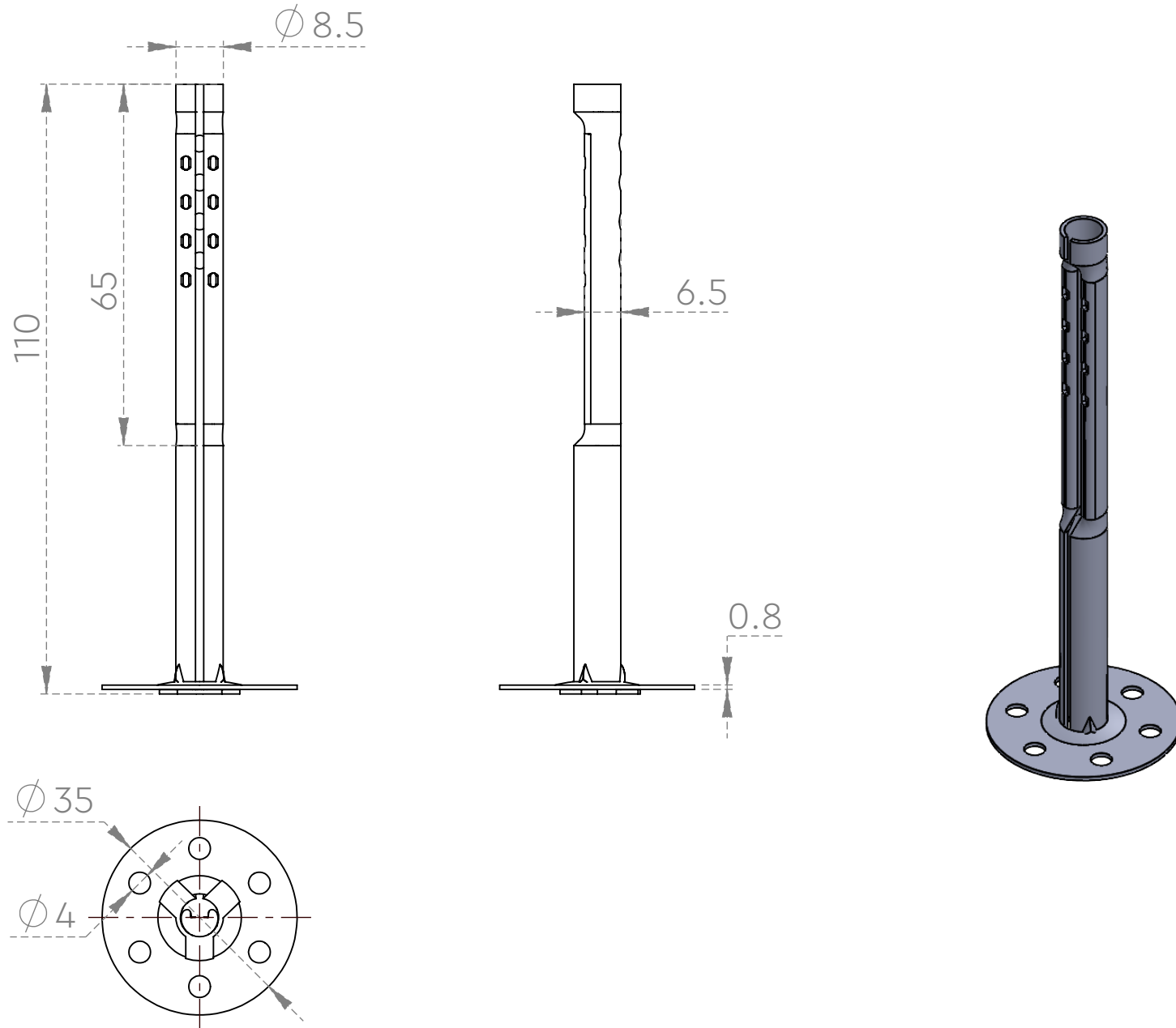
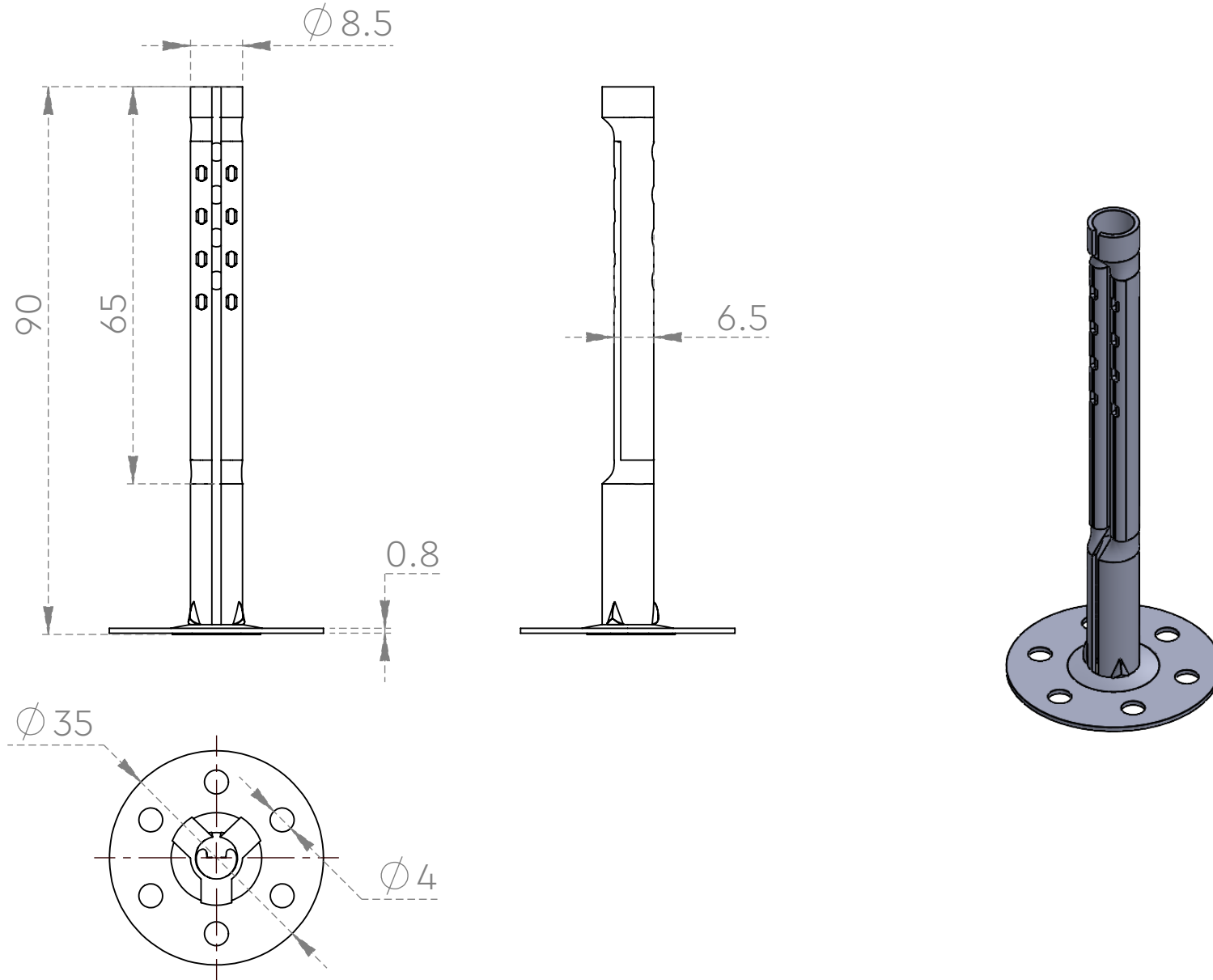


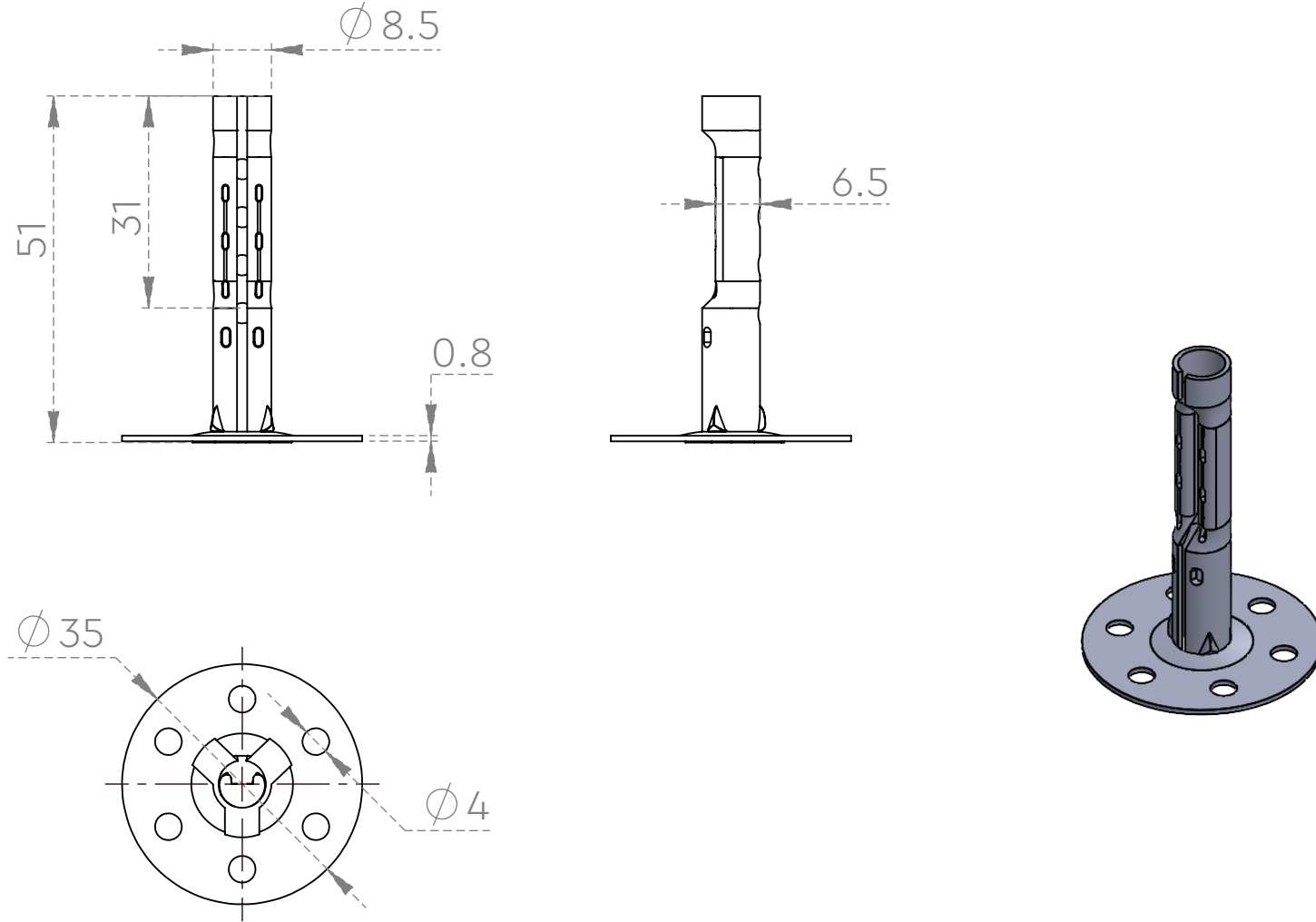
TECHNICAL DRAWING SHEET



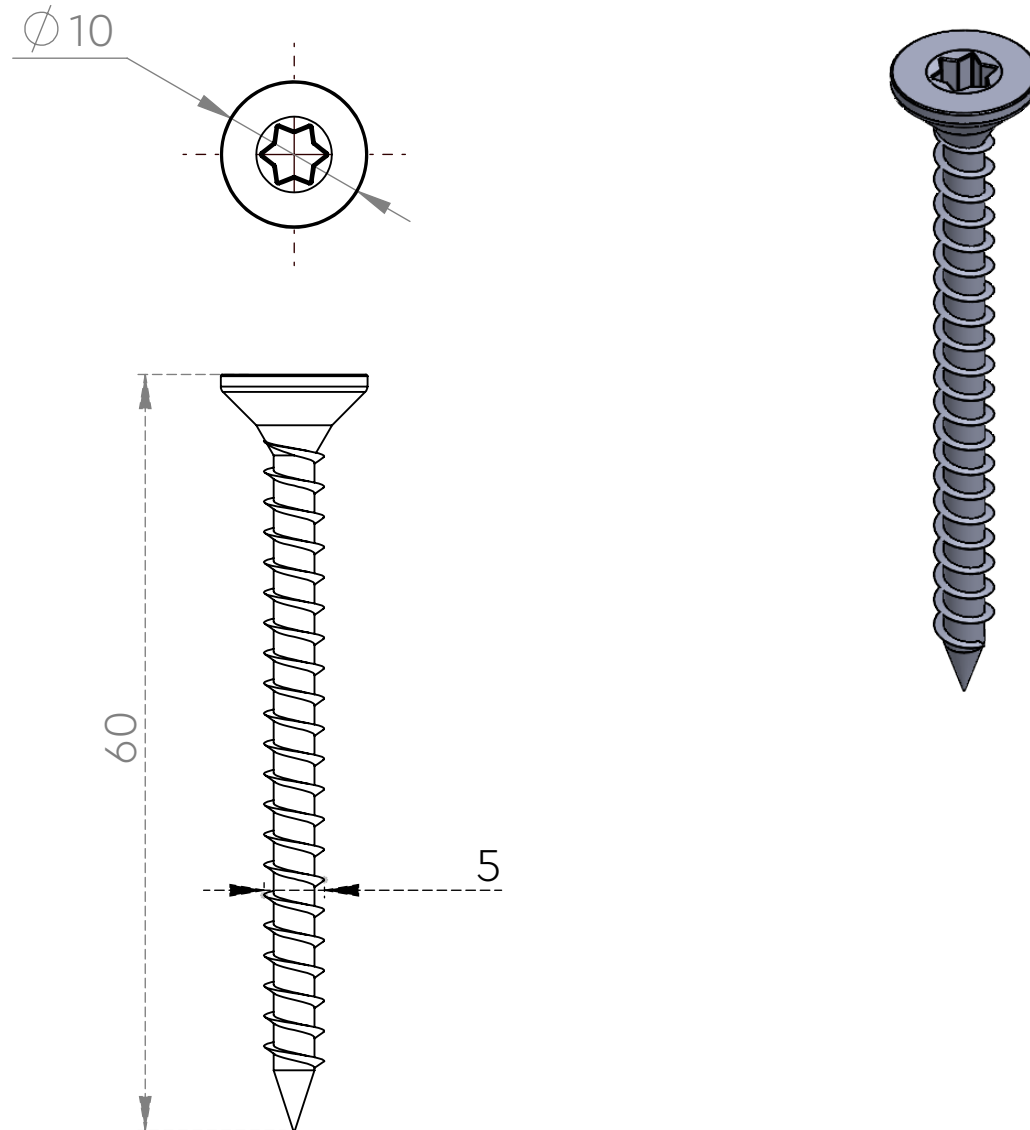
TECHNICAL DRAWING SHEET



TECHNICAL DRAWING SHEET



TECHNICAL DRAWING SHEET

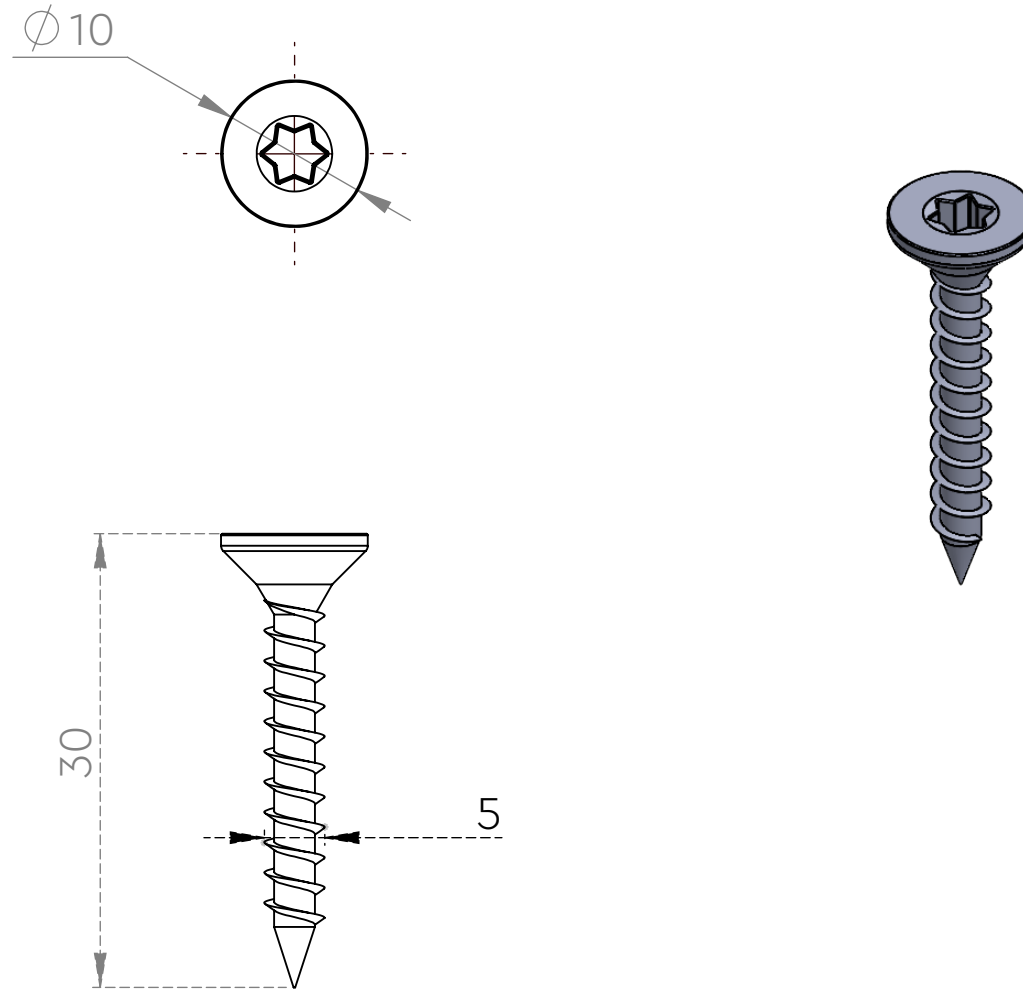


Note :-

- According to WS 9146 - 2014

All dimensions are in mm.

TECHNICAL DRAWING SHEET



Note :-

- According to WS 9146 - 2014

All dimensions are in mm.