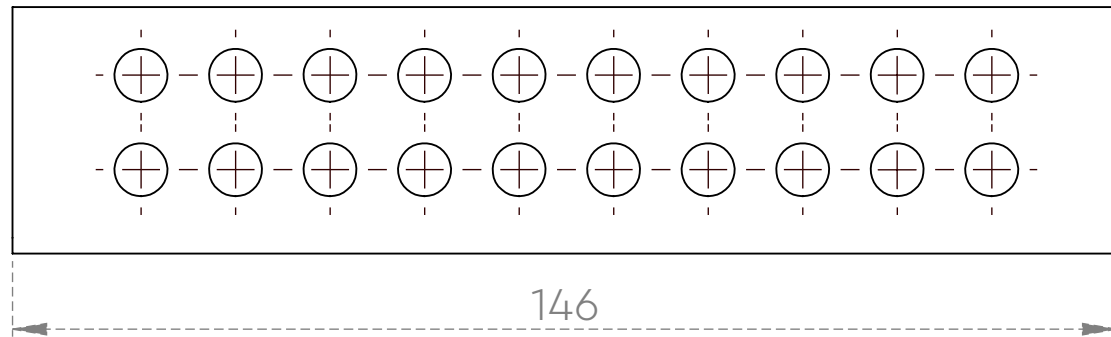
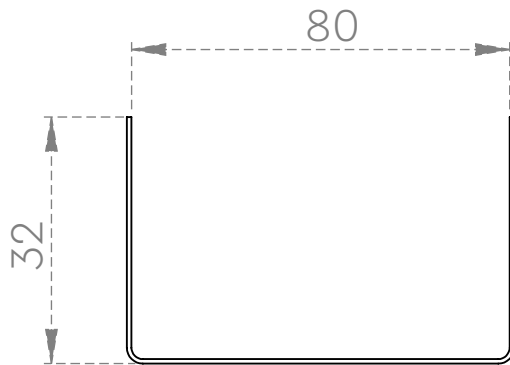
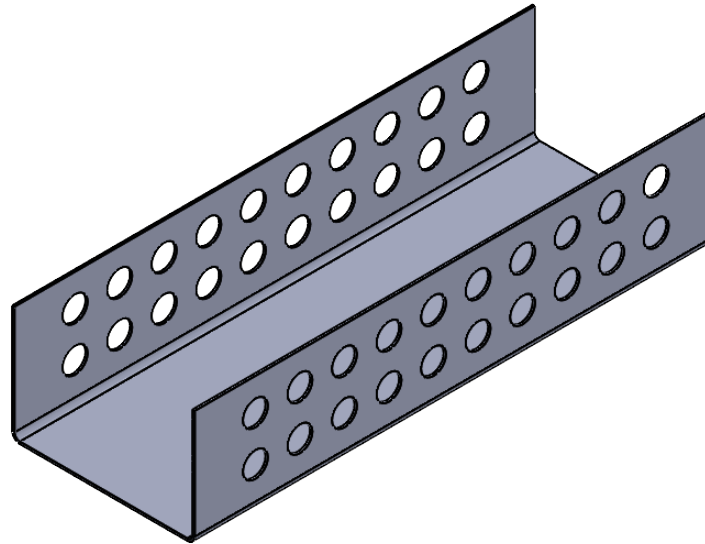


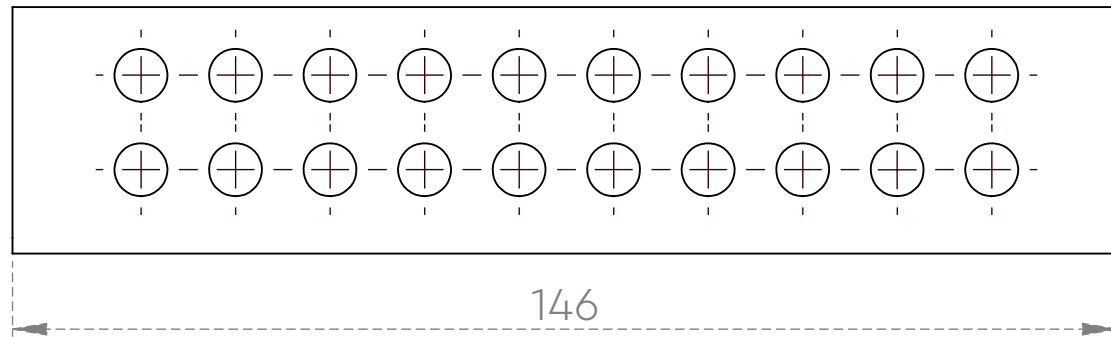
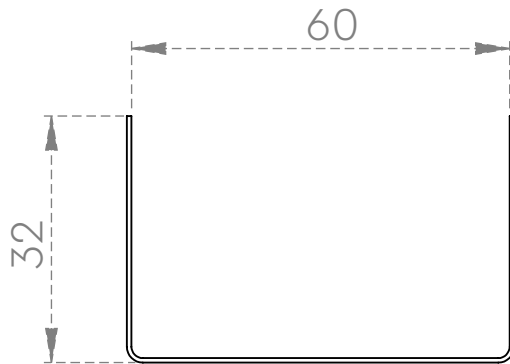
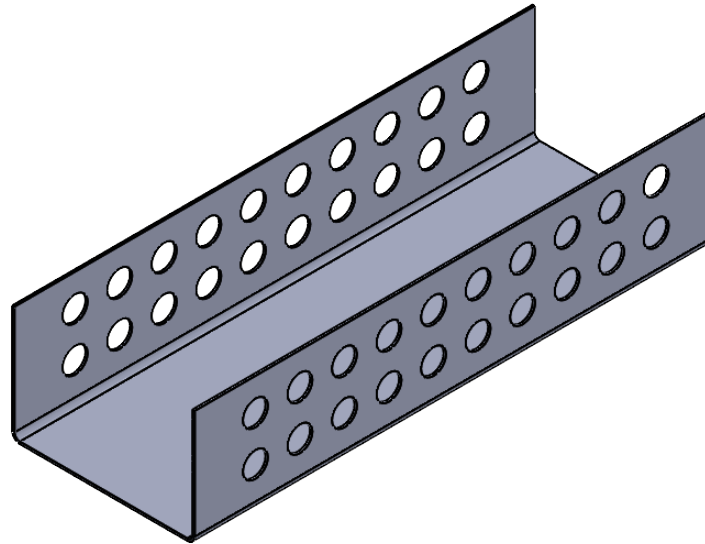
TECHNICAL DRAWING SHEET



Note :-

- Made from 0.6 mm sheet

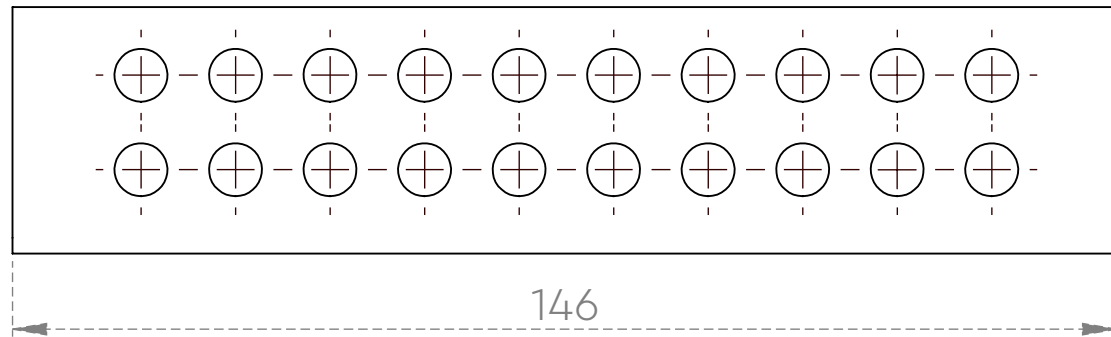
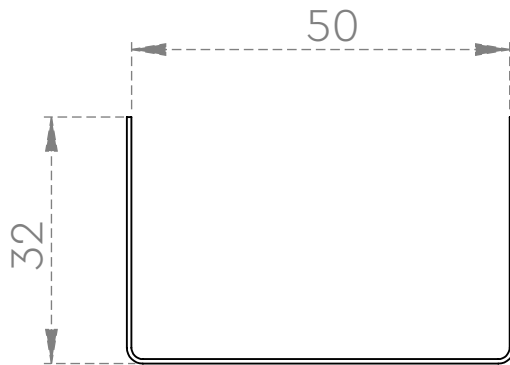
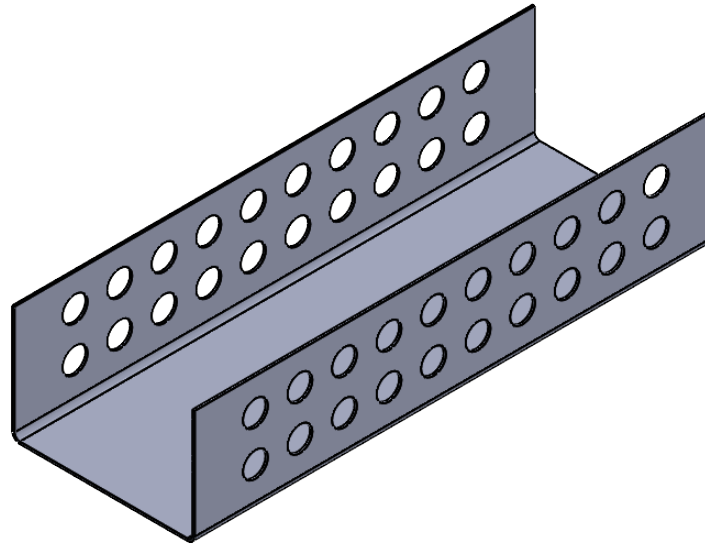
TECHNICAL DRAWING SHEET



Note :-

- Made from 0.6 mm sheet

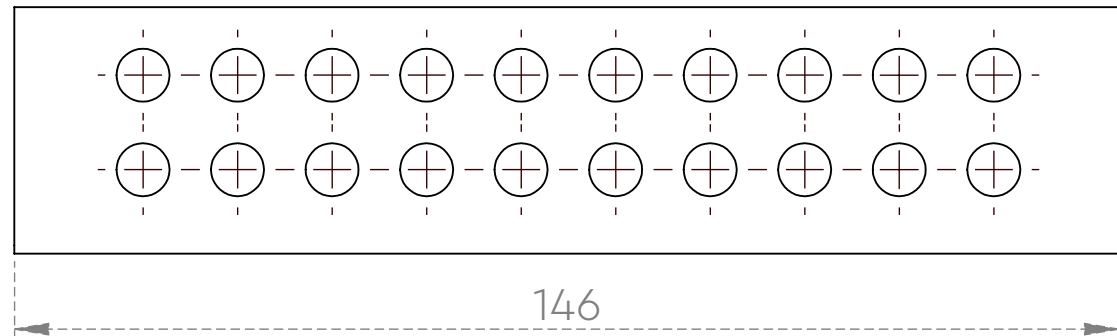
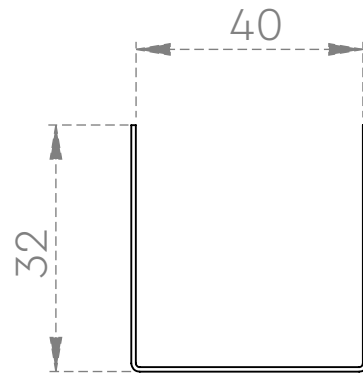
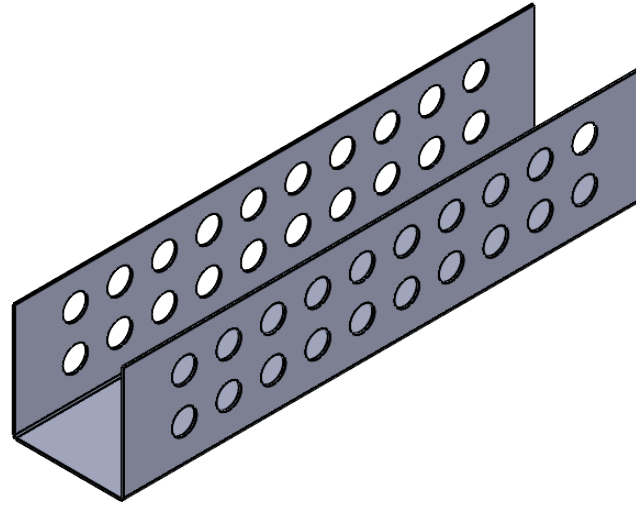
TECHNICAL DRAWING SHEET



Note :-

- Made from 0.6 mm sheet

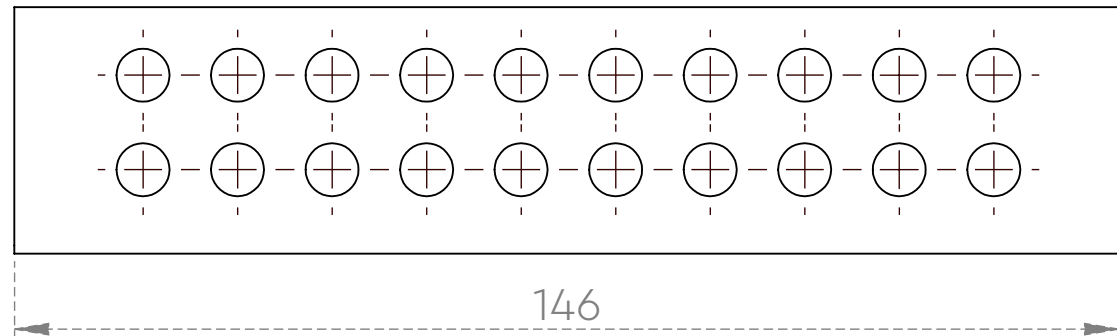
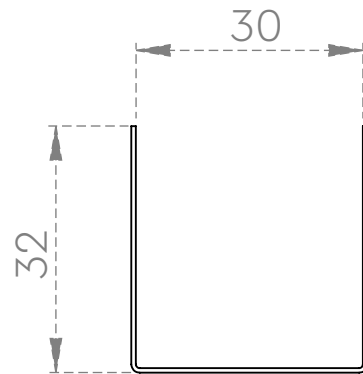
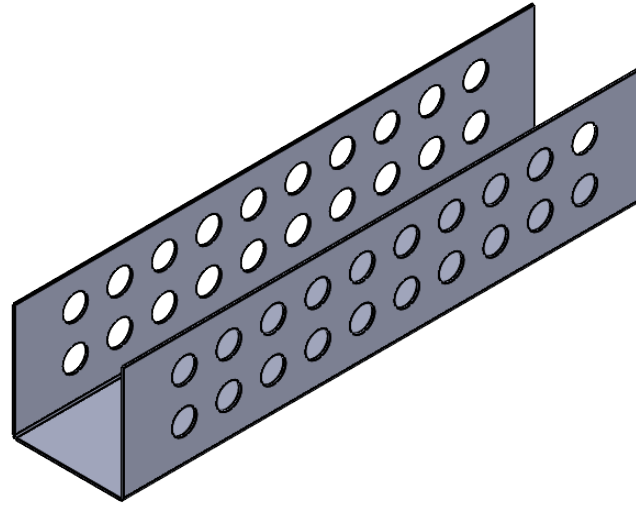
TECHNICAL DRAWING SHEET



Note :-

- Made from 0.6 mm sheet

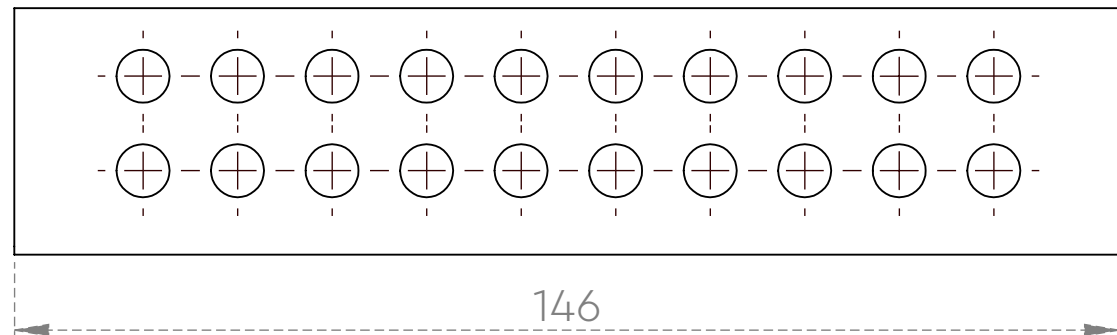
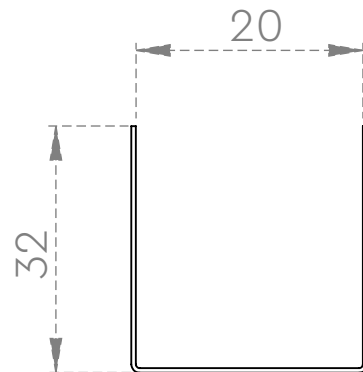
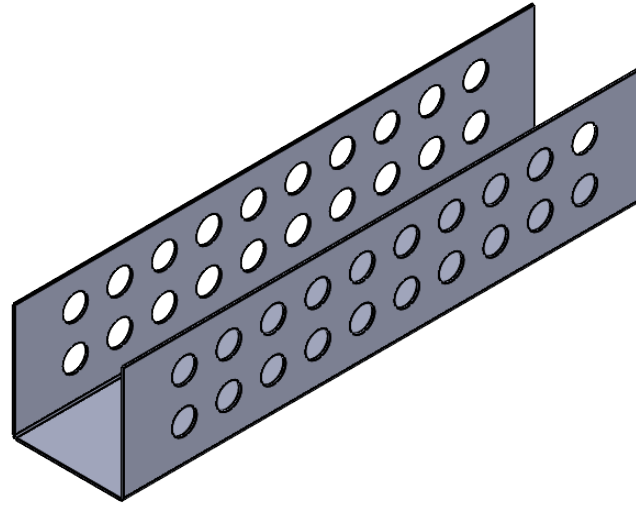
TECHNICAL DRAWING SHEET



Note :-

- Made from 0.6 mm sheet

TECHNICAL DRAWING SHEET



Note :-

- Made from 0.6 mm sheet