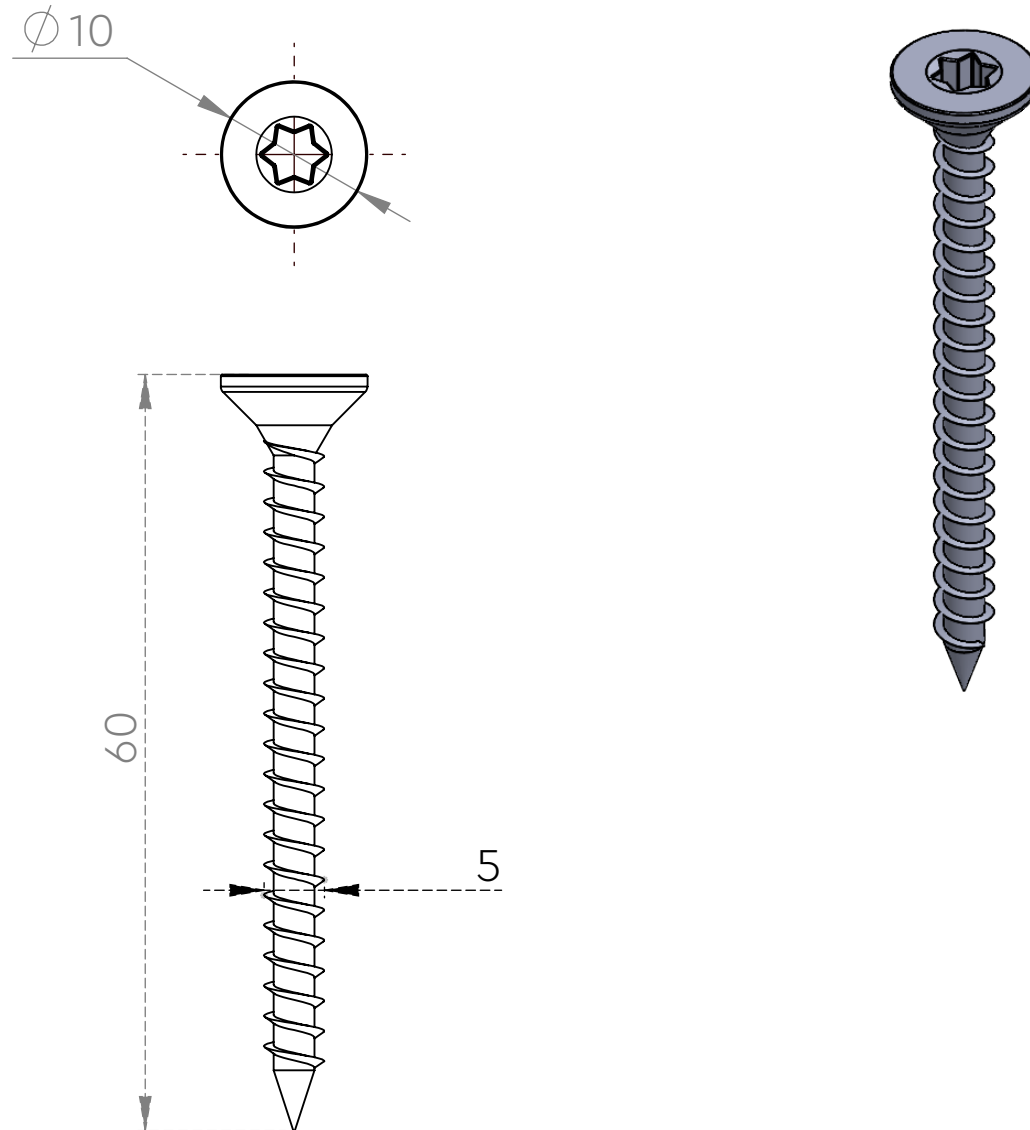


# TECHNICAL DRAWING SHEET

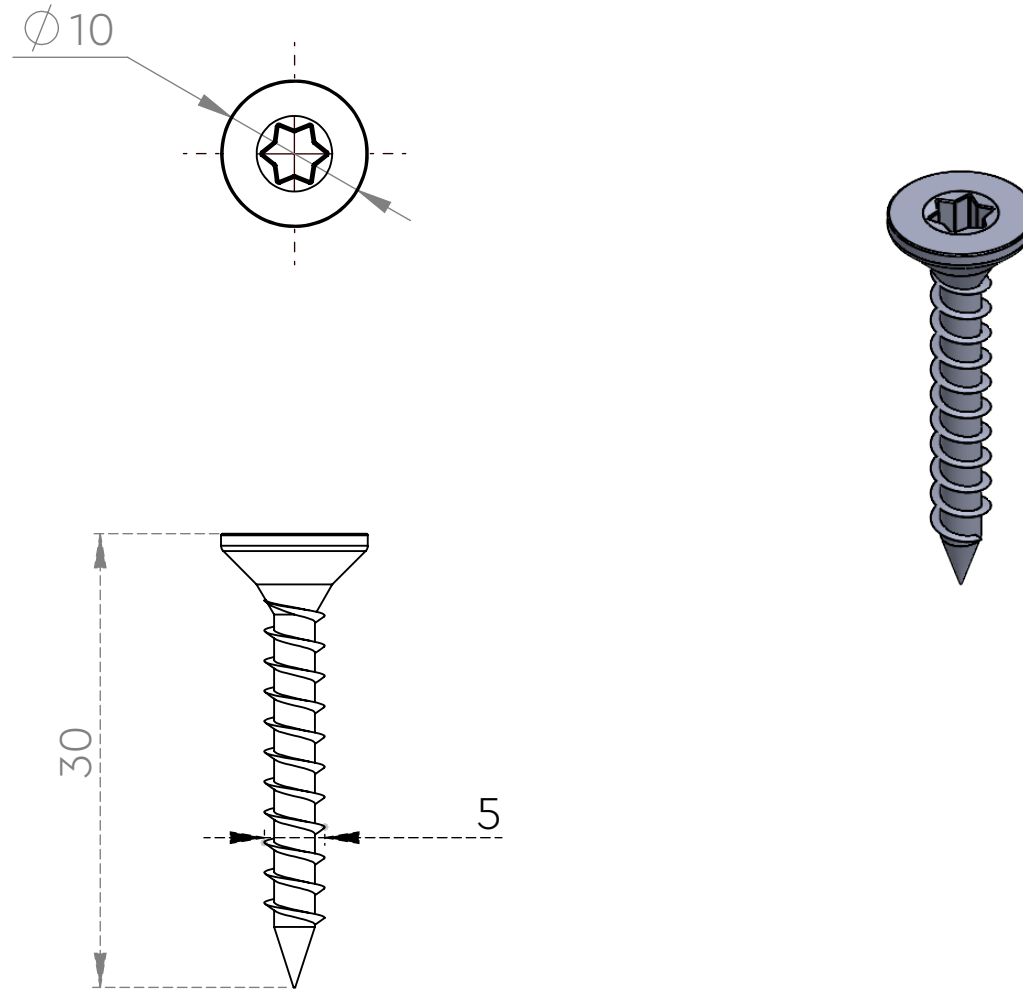


Note :-

- According to WS 9146 - 2014

All dimensions are in mm.

# TECHNICAL DRAWING SHEET



Note :-

- According to WS 9146 - 2014

All dimensions are in mm.