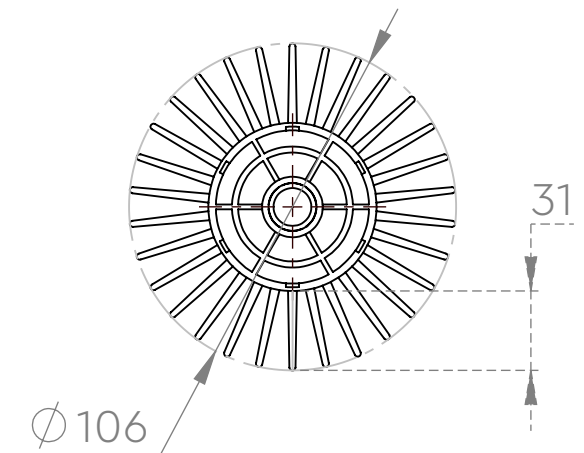
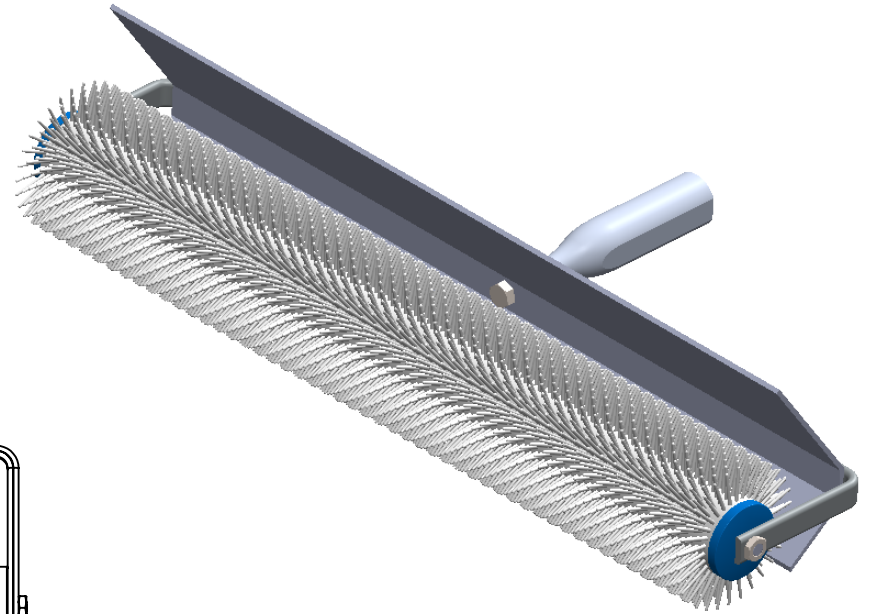
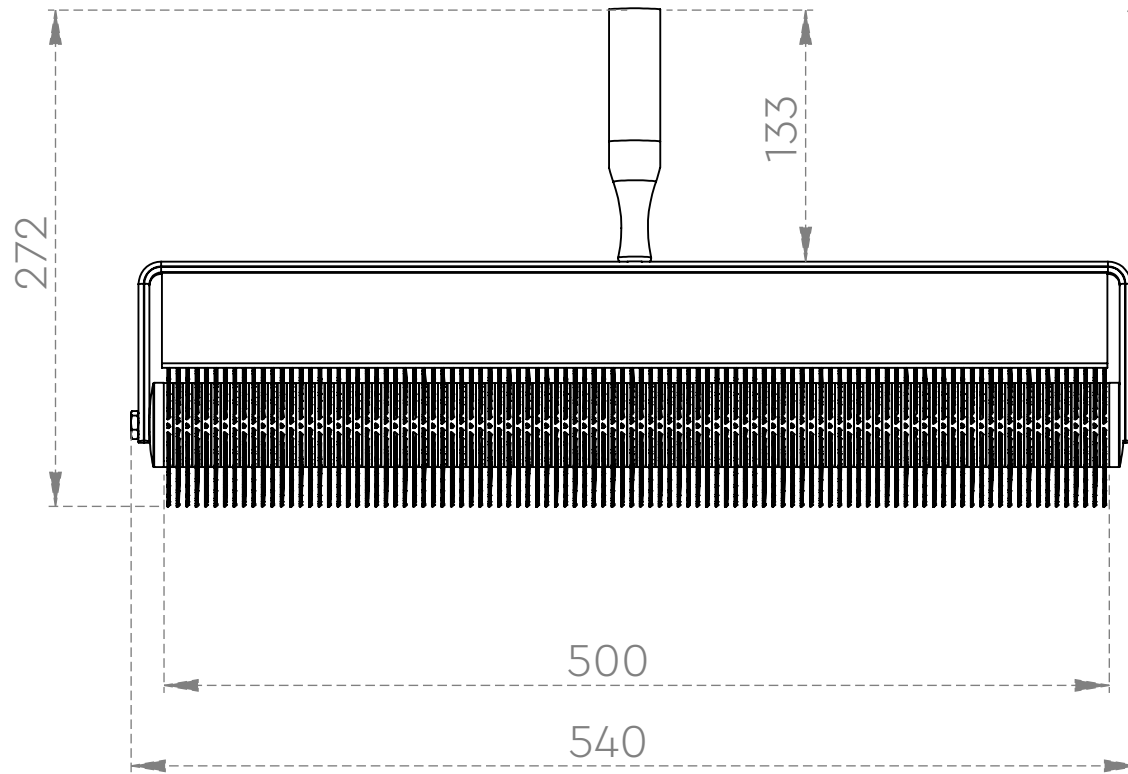


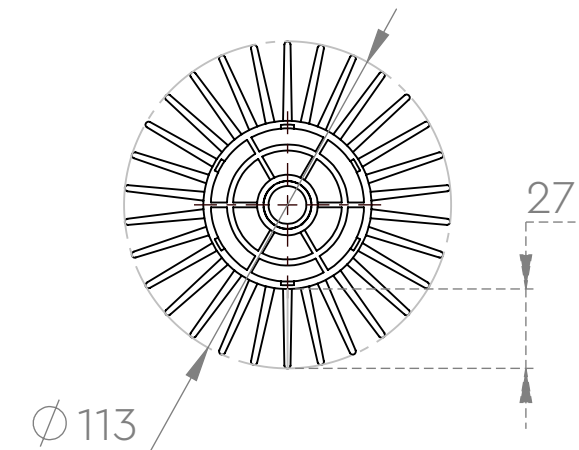
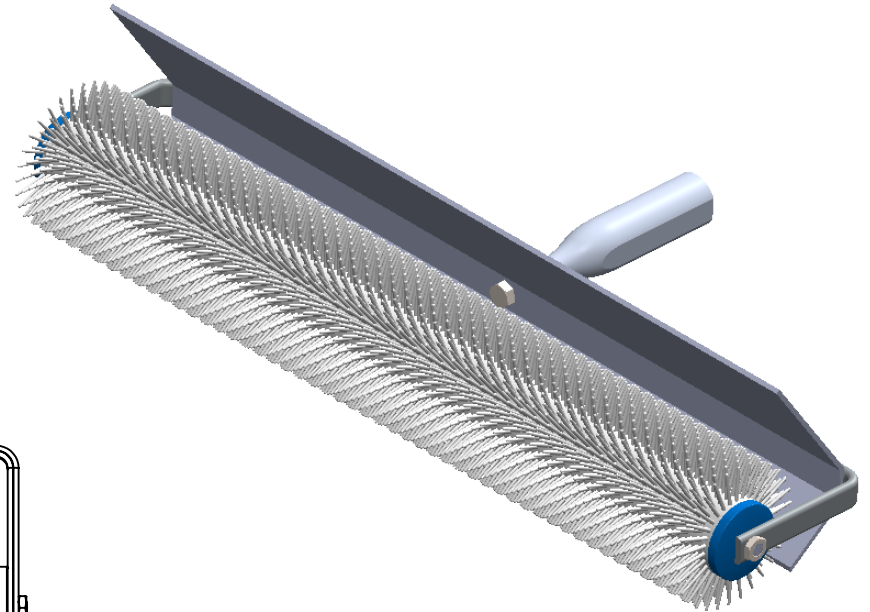
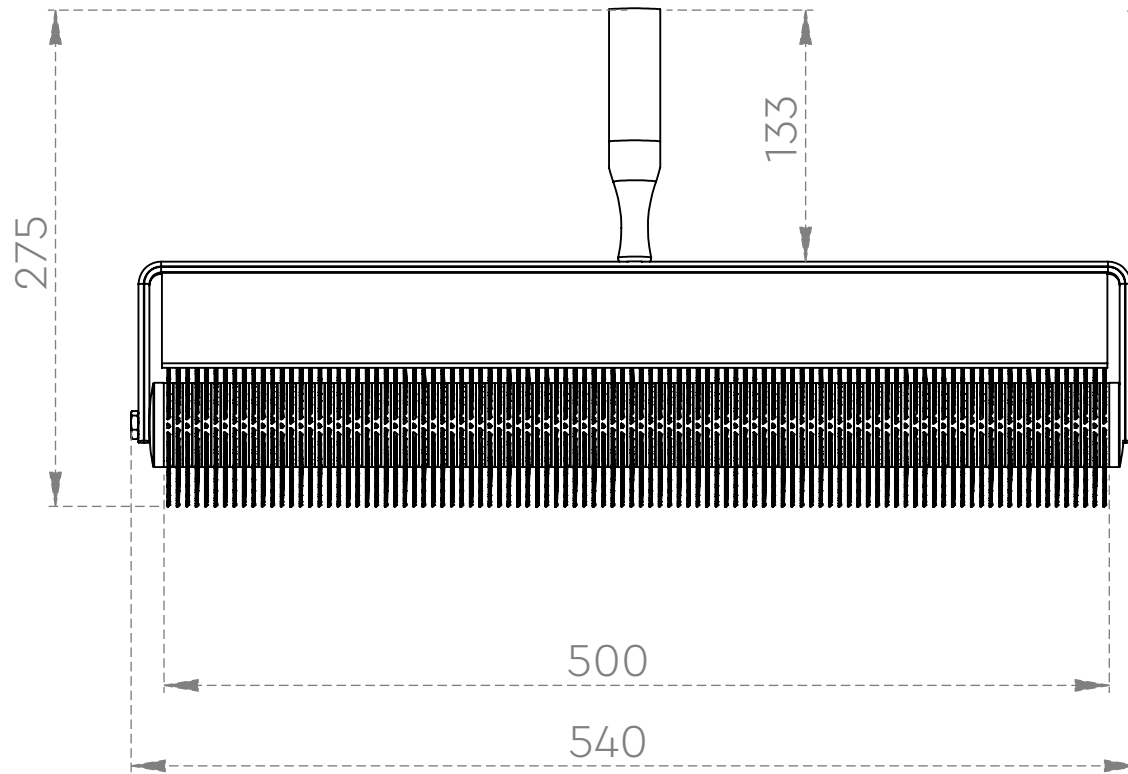
TECHNICAL DRAWING SHEET



Note :-

- Total no. of spikes 104

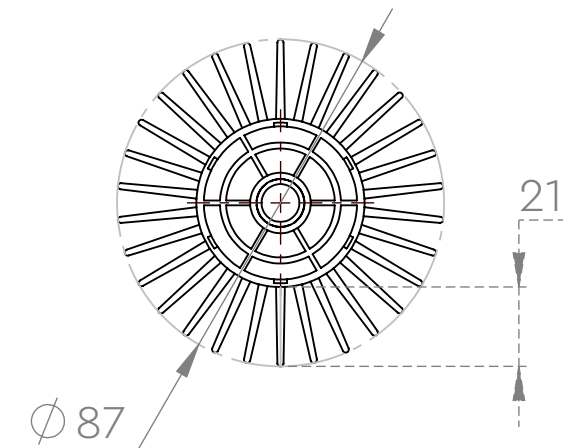
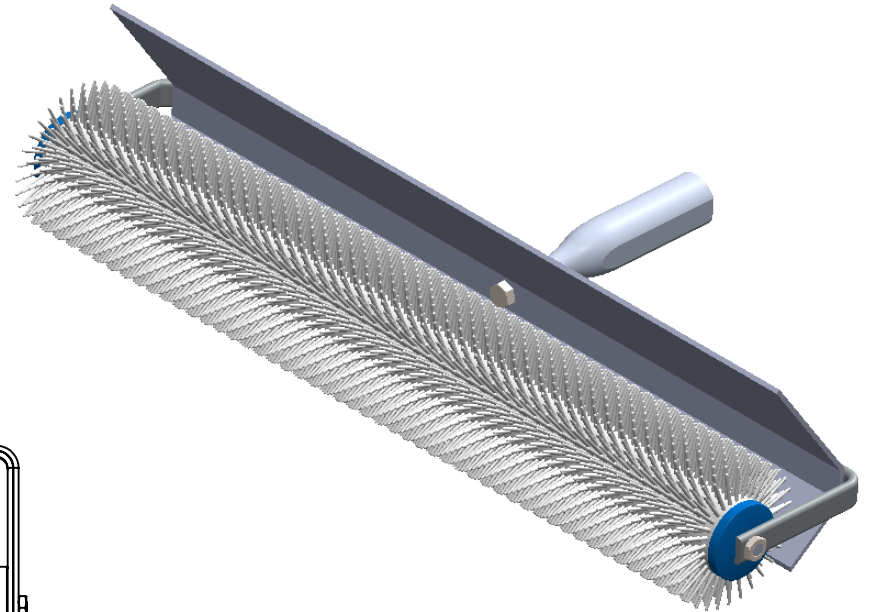
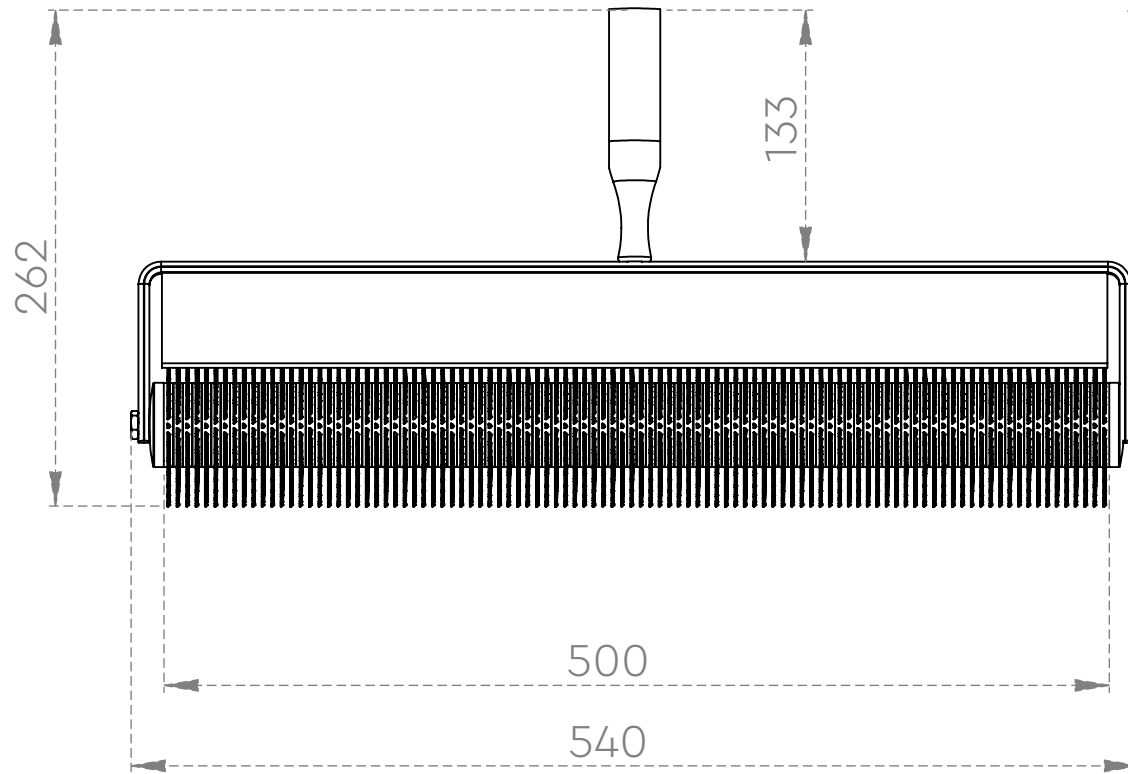
TECHNICAL DRAWING SHEET



Note :-

- Total no. of spikes 104

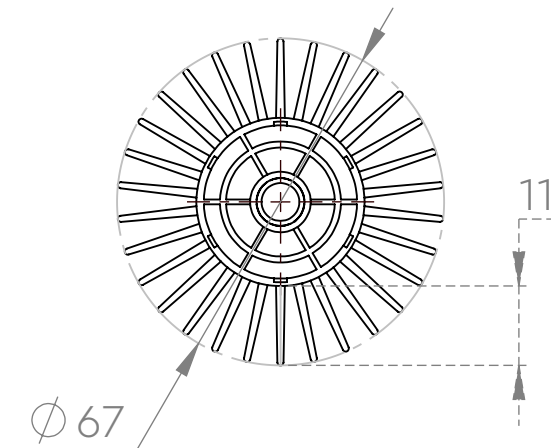
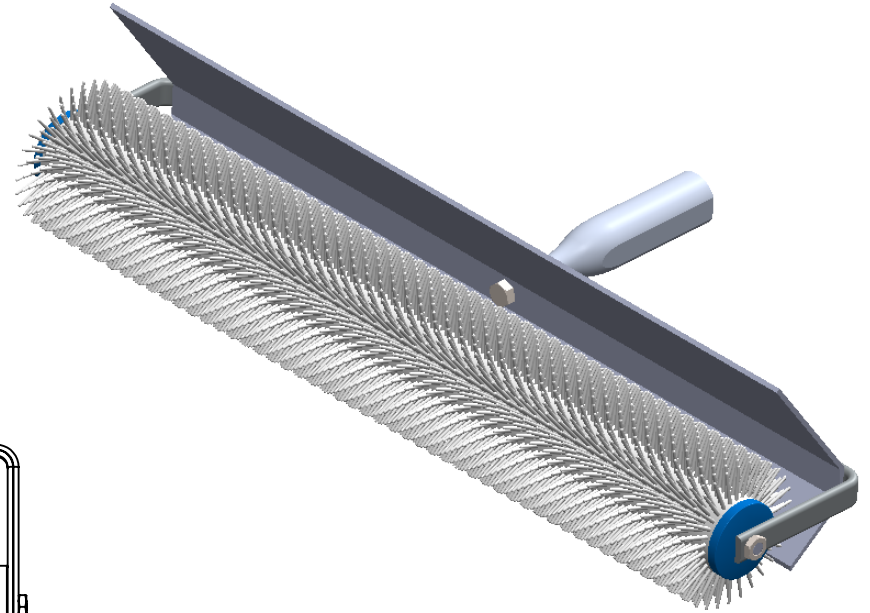
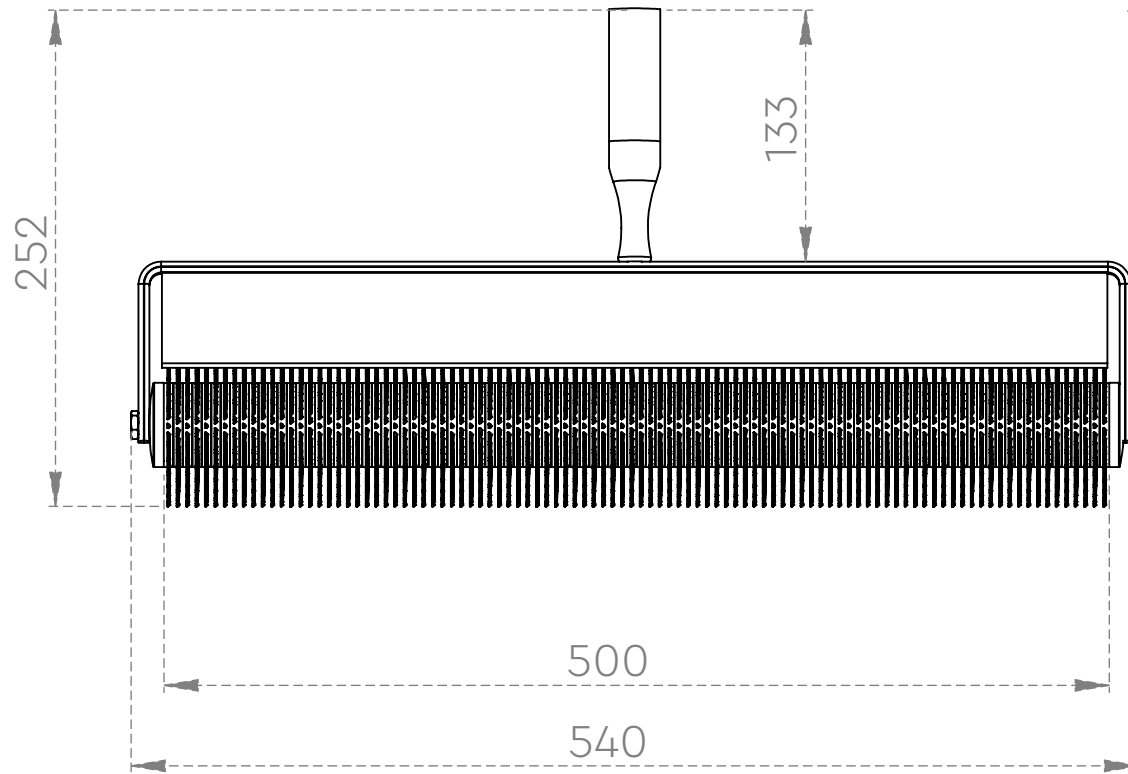
TECHNICAL DRAWING SHEET



Note :-

- Total no. of spikes 104

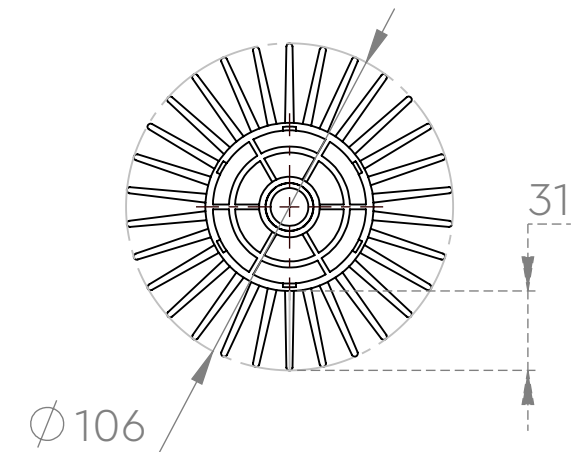
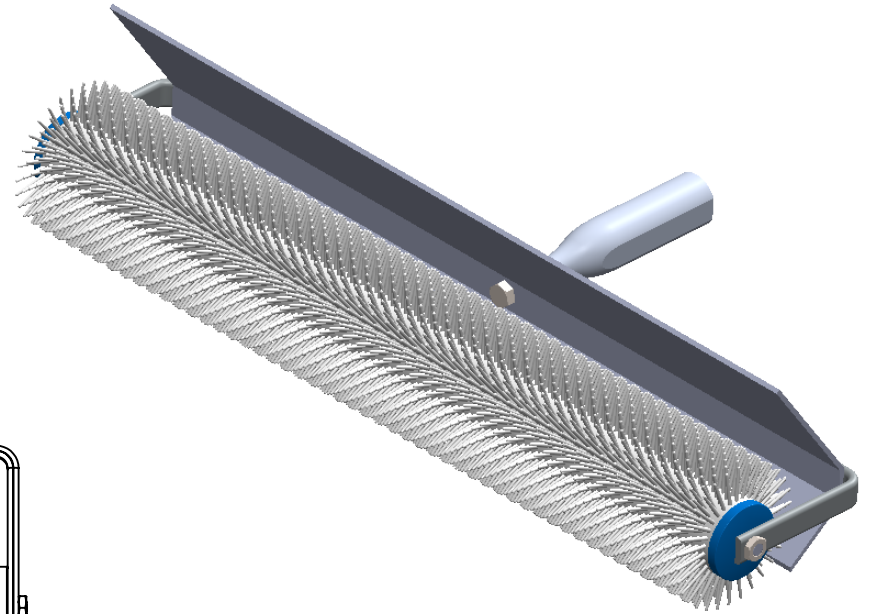
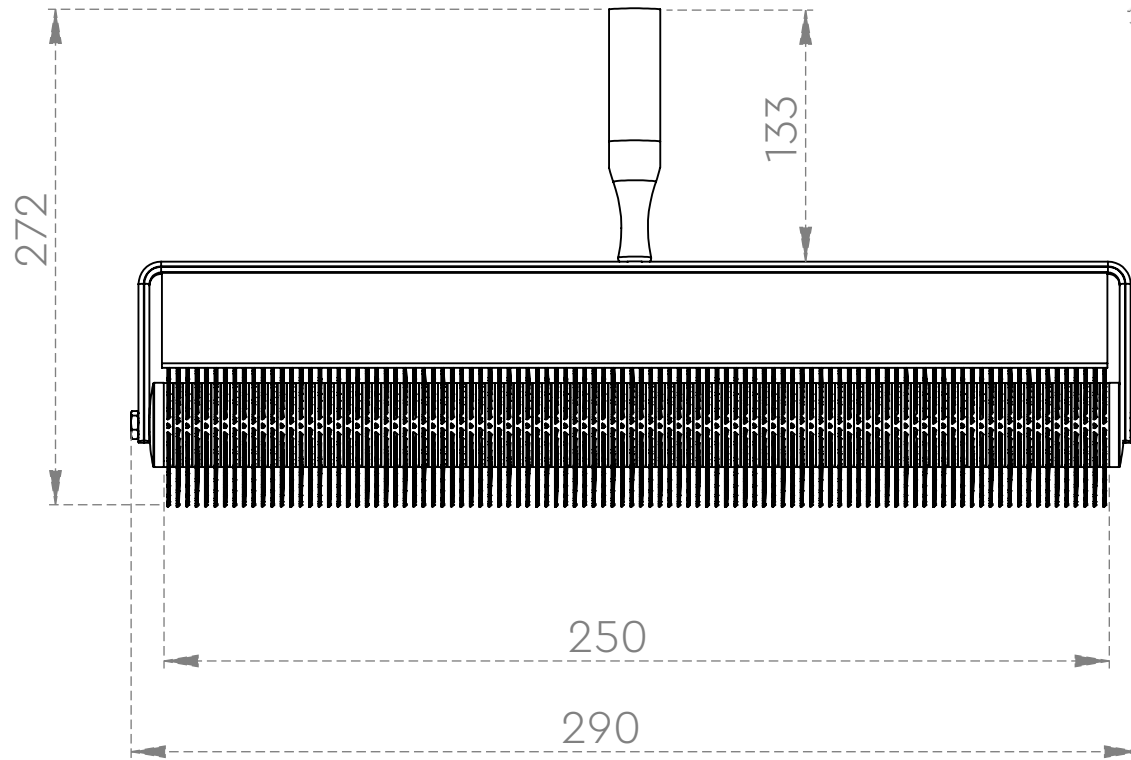
TECHNICAL DRAWING SHEET



Note :-

- Total no. of spikes 104

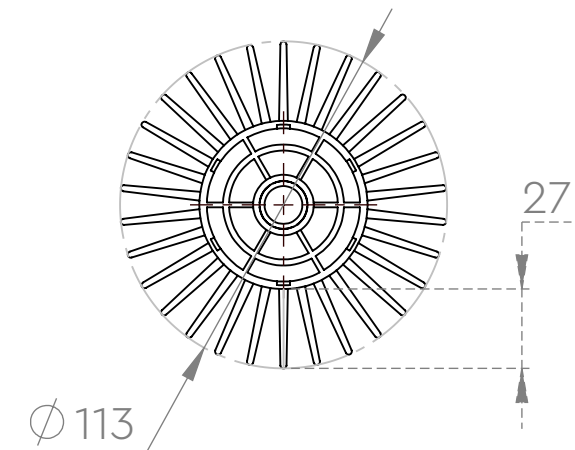
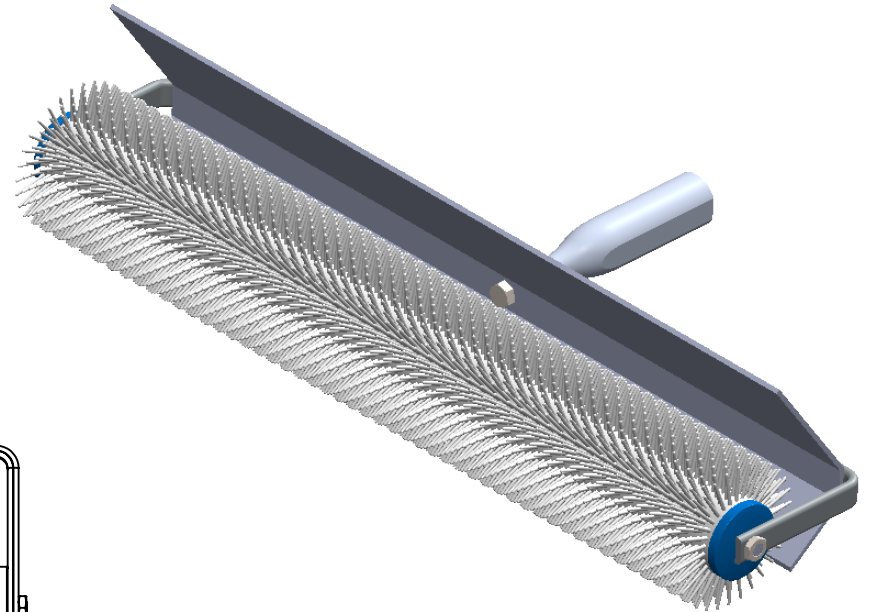
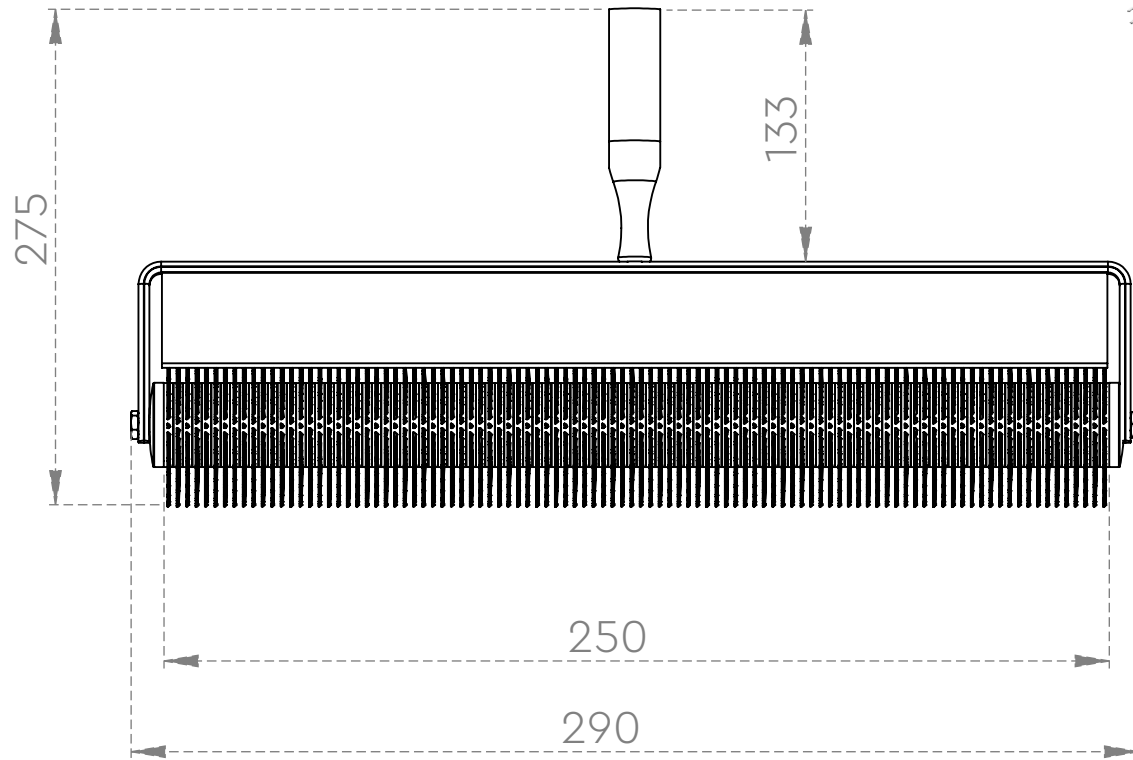
TECHNICAL DRAWING SHEET



Note :-

- Total no. of spikes 52

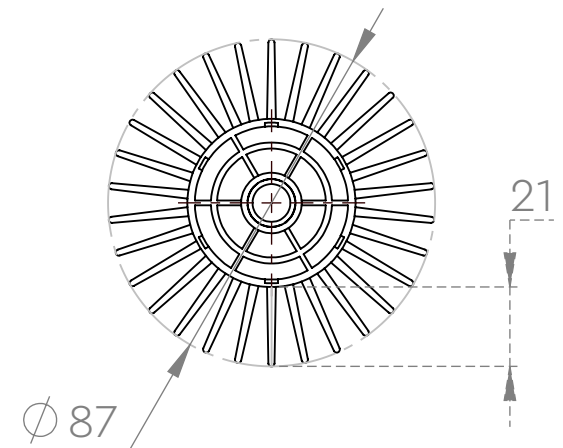
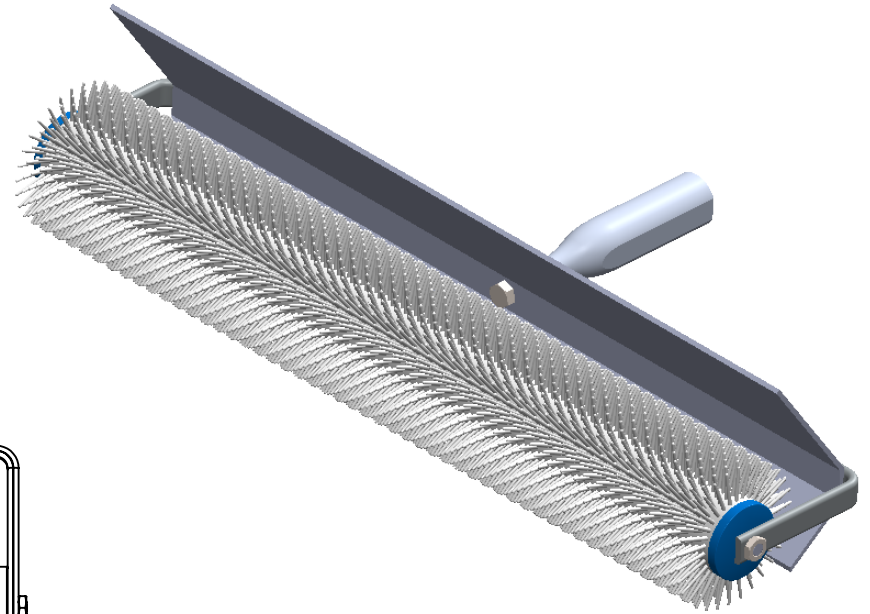
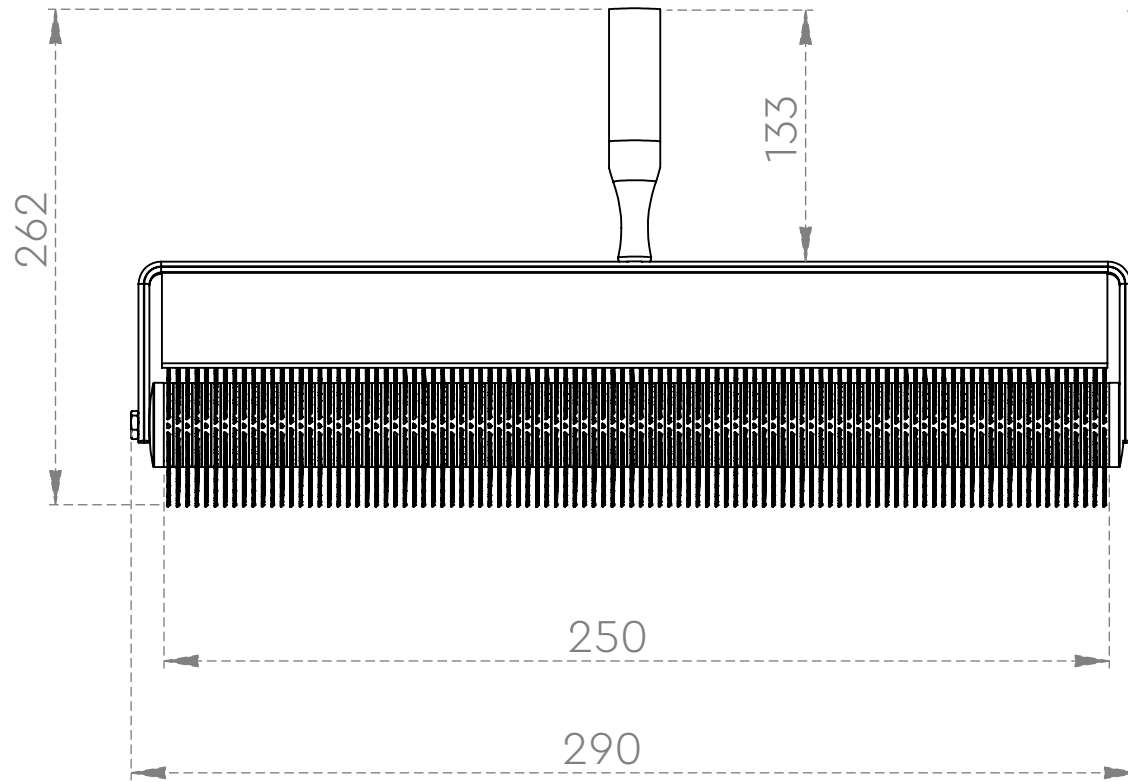
TECHNICAL DRAWING SHEET



Note :-

- Total no. of spikes 52

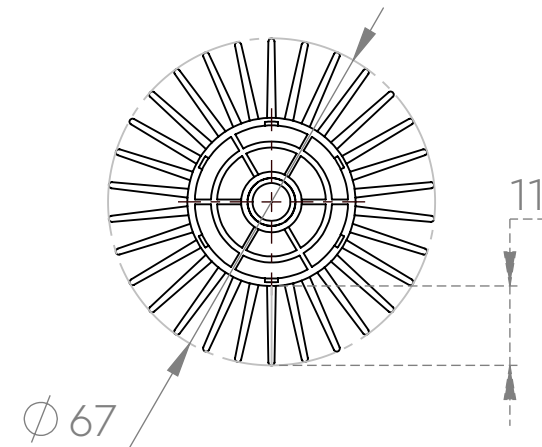
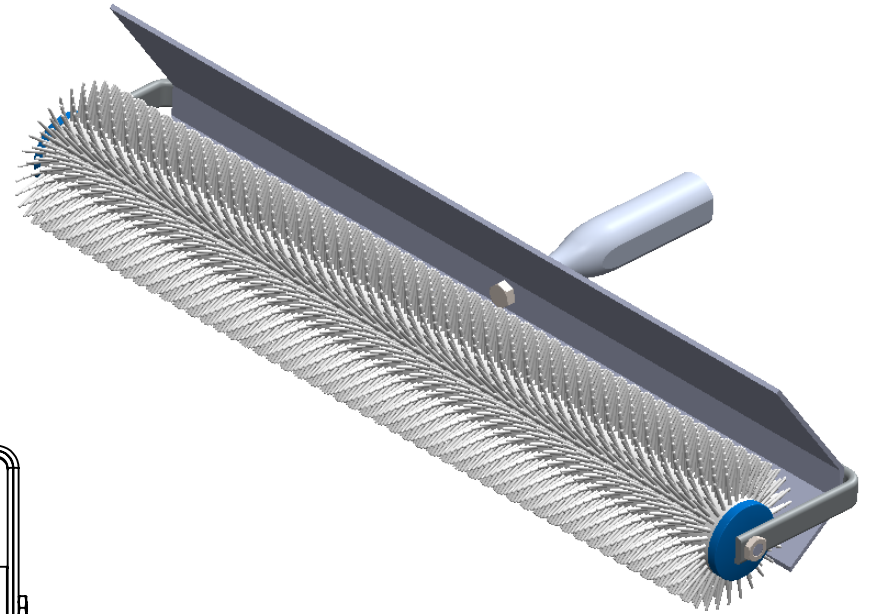
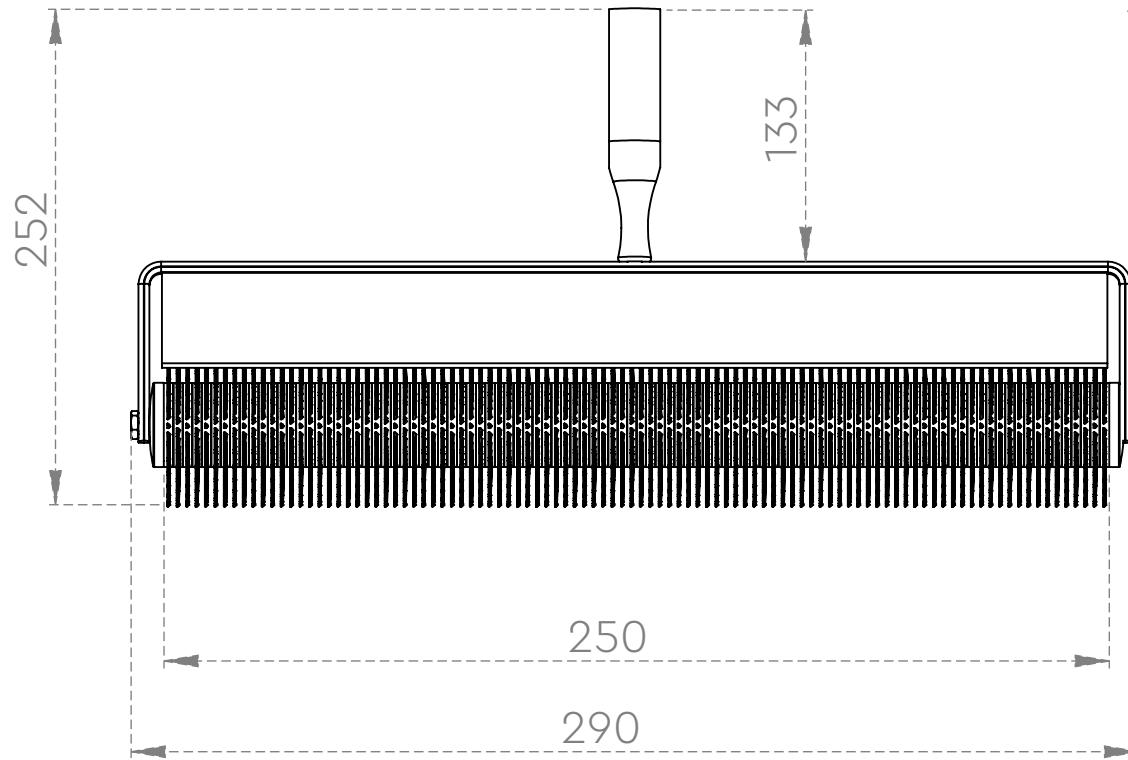
TECHNICAL DRAWING SHEET



Note :-

- Total no. of spikes 52

TECHNICAL DRAWING SHEET



Note :-

- Total no. of spikes 52