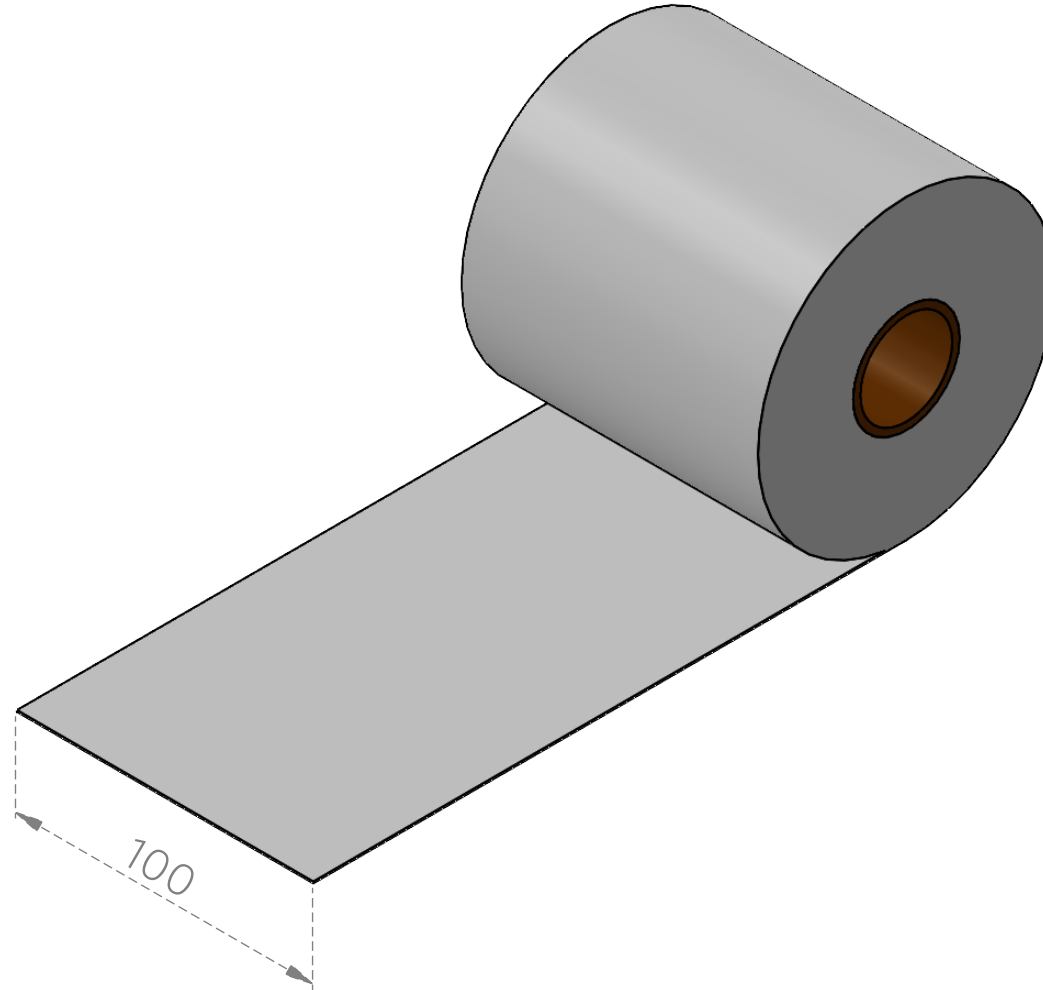


TECHNICAL DRAWING SHEET



Note :-

- Available in 50 & 80 G.S.M.
- Also available in 1000 mm width