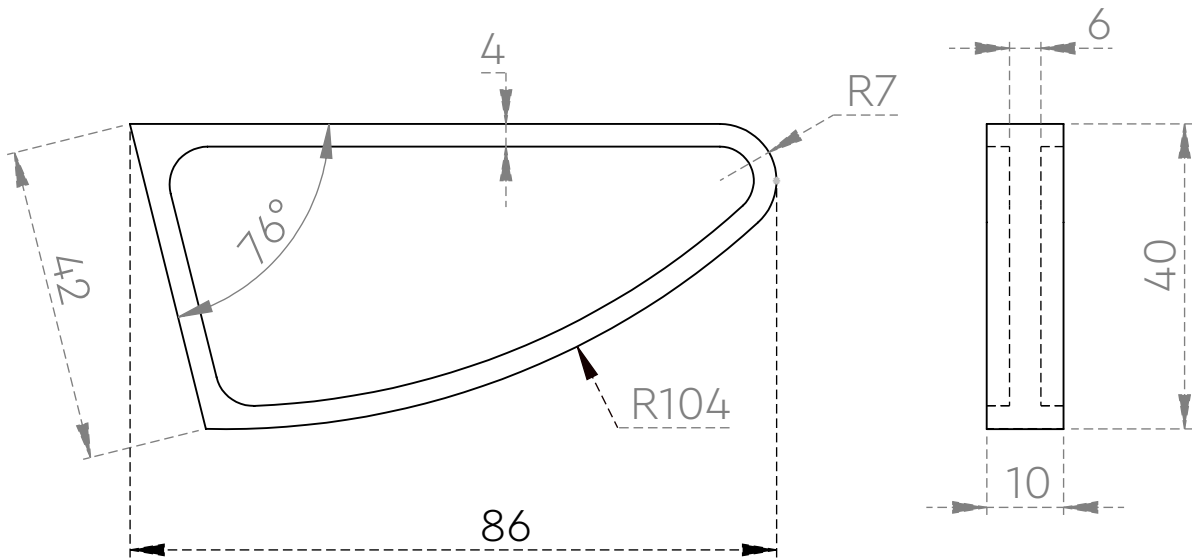
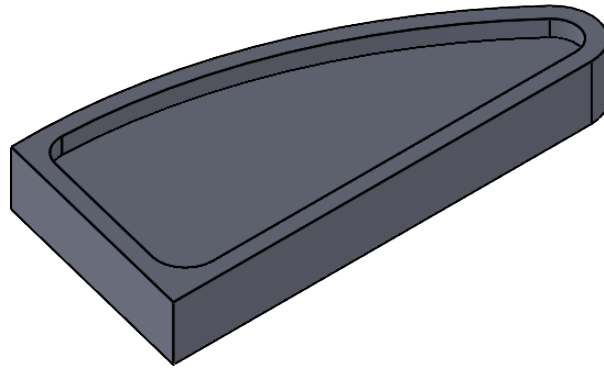


# TECHNICAL DRAWING SHEET

The information in this drawing is the sole property of Sakshi Innovations. Any reproduction in part or as a whole without the written permission of Sakshi Innovations is prohibited.

The information in this drawing is the sole property of Sakshi Innovations. Any reproduction in part or as a whole without the written permission of Sakshi Innovations is prohibited.



All dimensions are in mm.