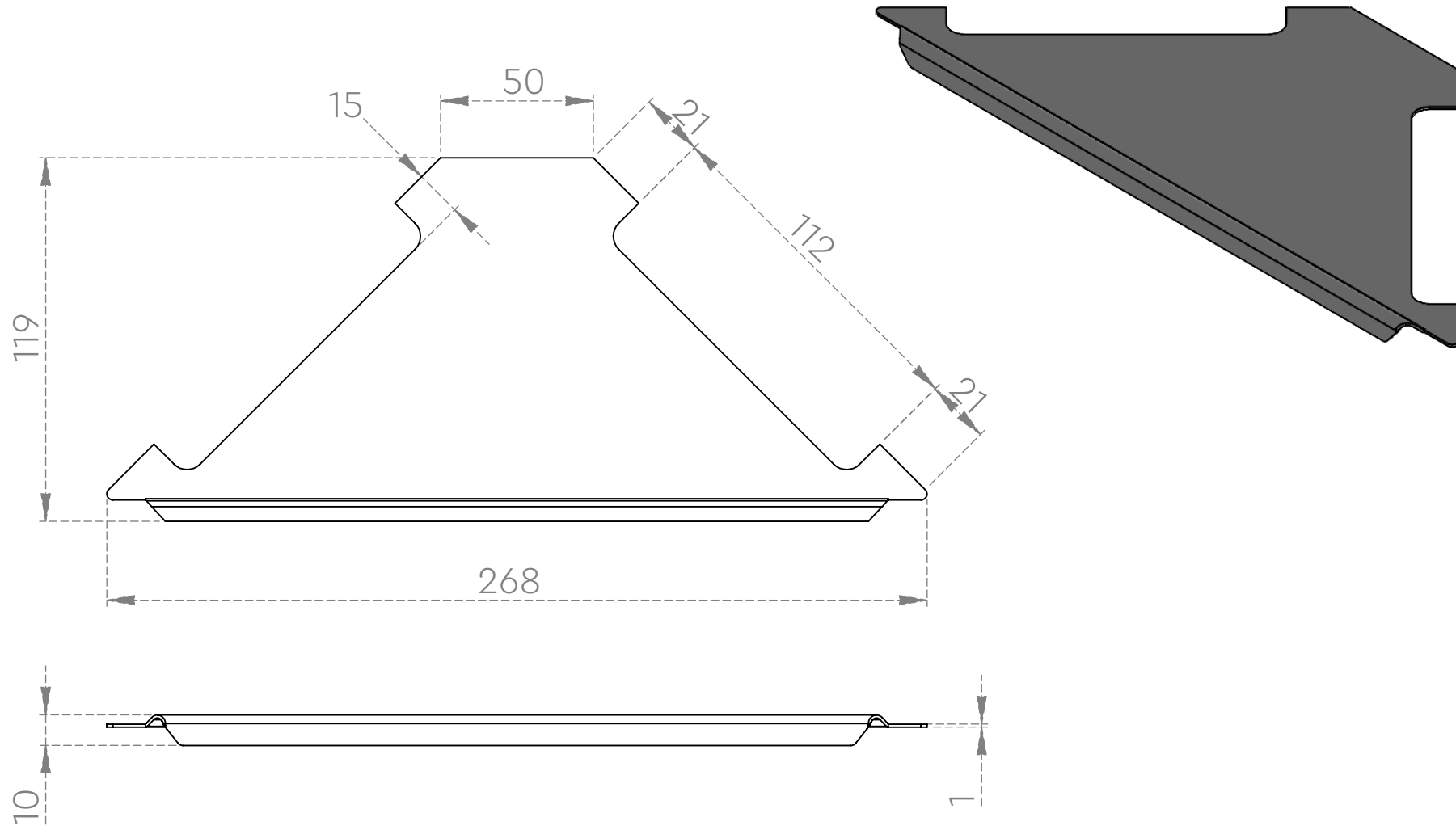


# TECHNICAL DRAWING SHEET



Note :-

- Made from 1mm sheet