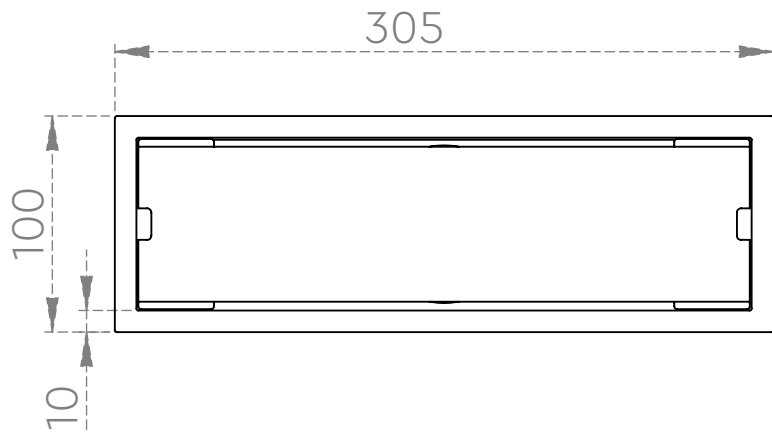
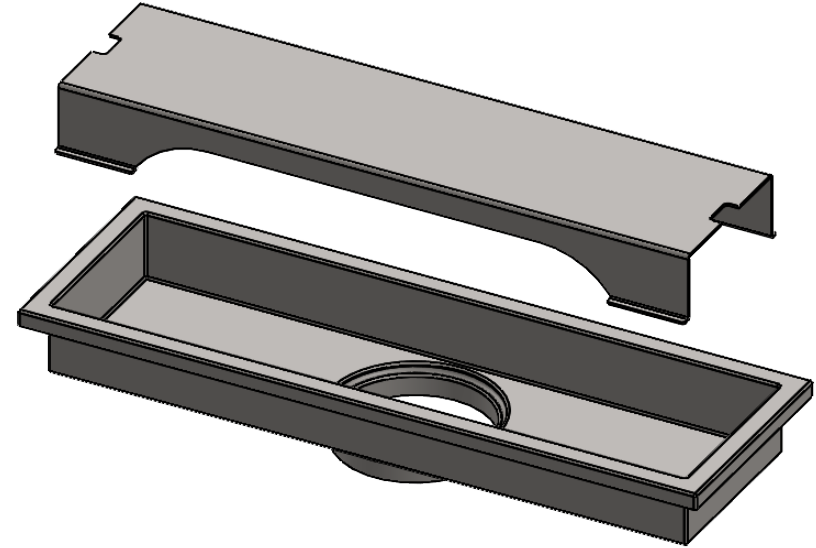
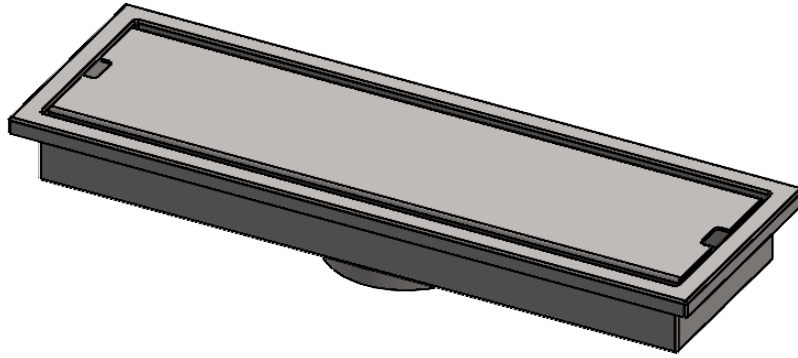
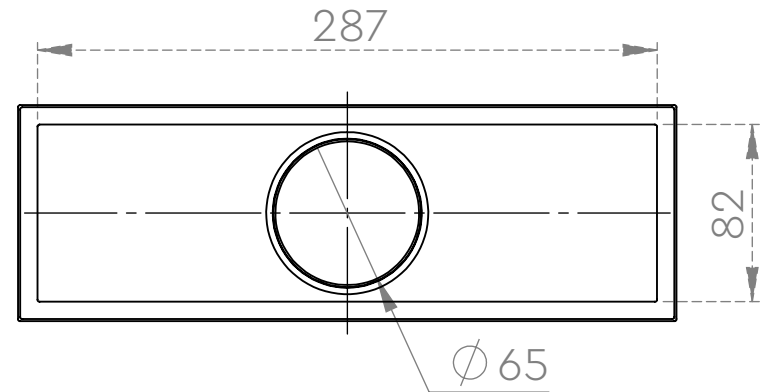
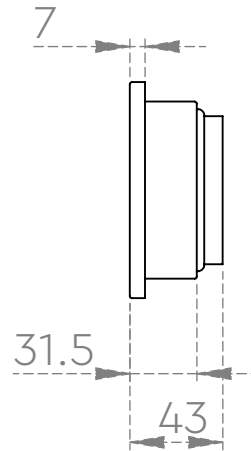


TECHNICAL DRAWING SHEET



Front

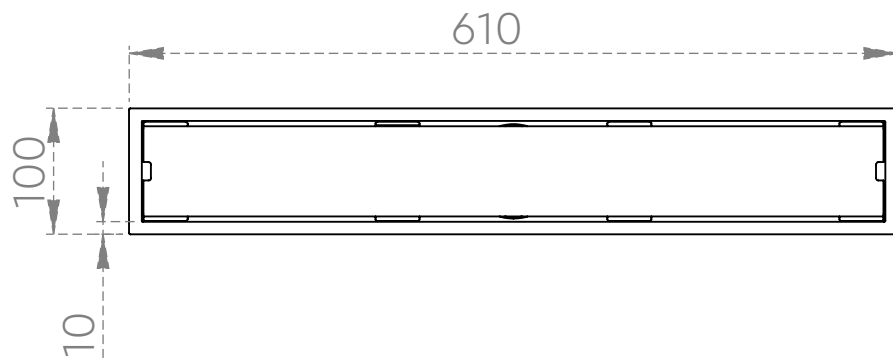
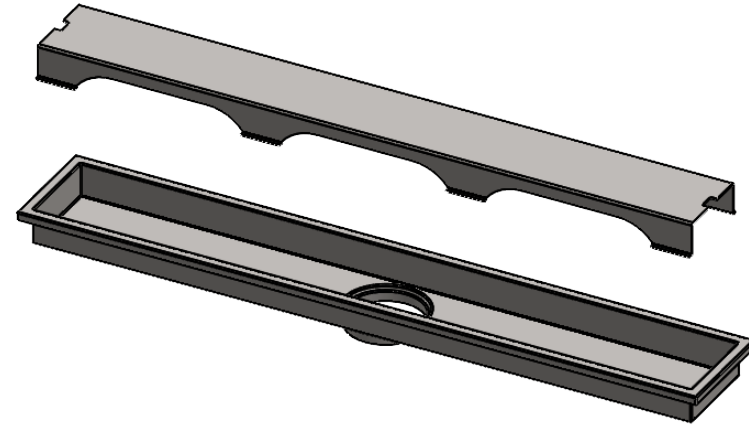
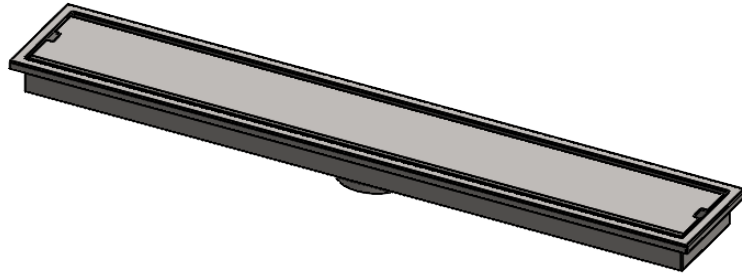


Back

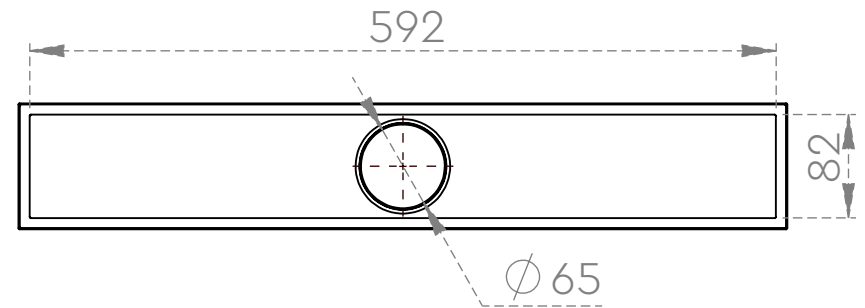
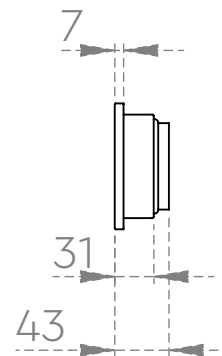
Note :-

- Frame made from 1mm sheet
- Grating made from 1mm sheet

TECHNICAL DRAWING SHEET



Front

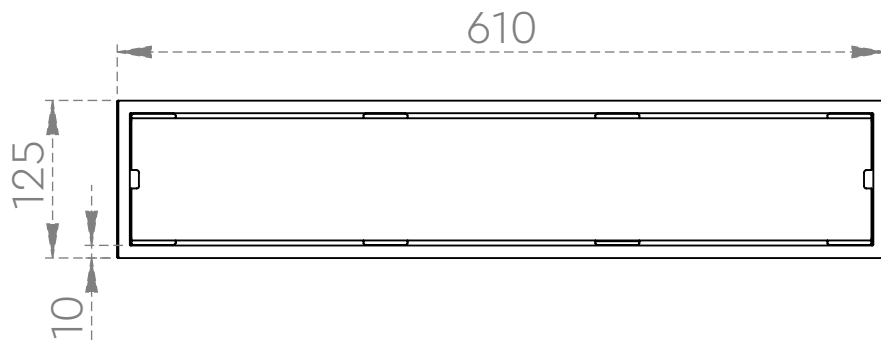
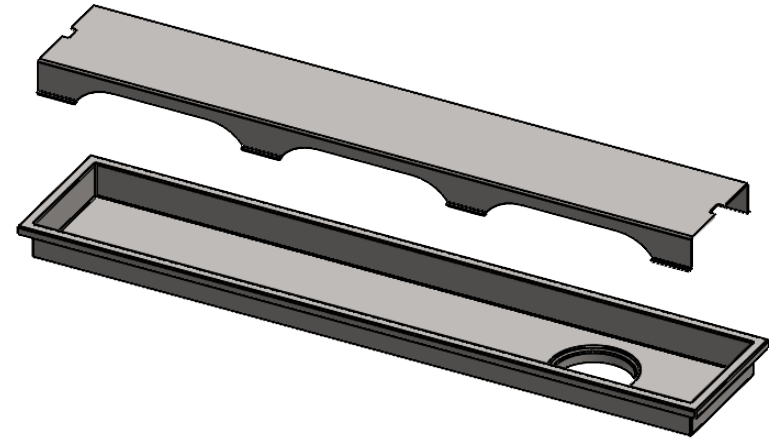
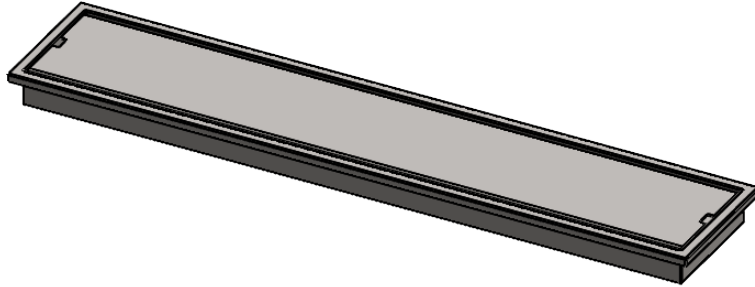


Back

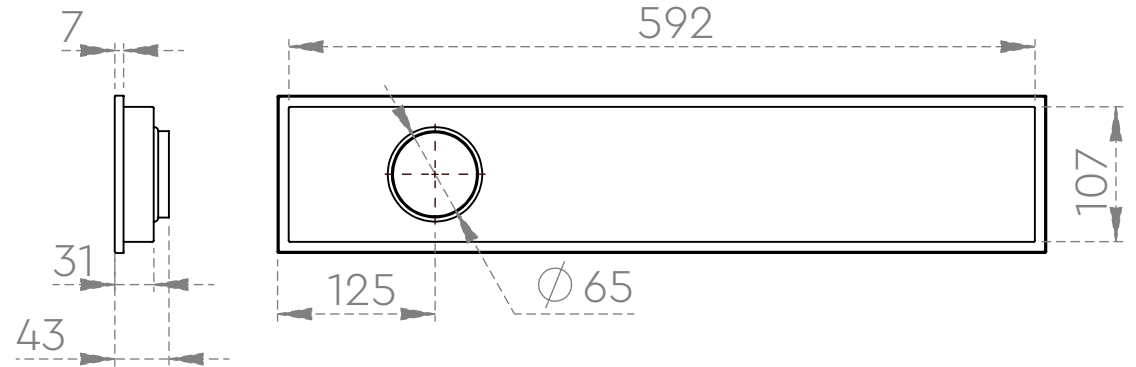
Note :-

- Frame made from 1mm sheet
- Grating made from 1mm sheet

TECHNICAL DRAWING SHEET



Front

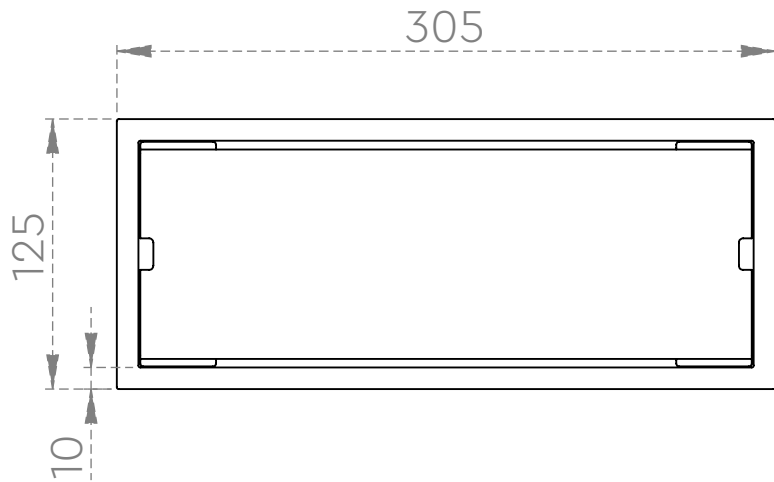
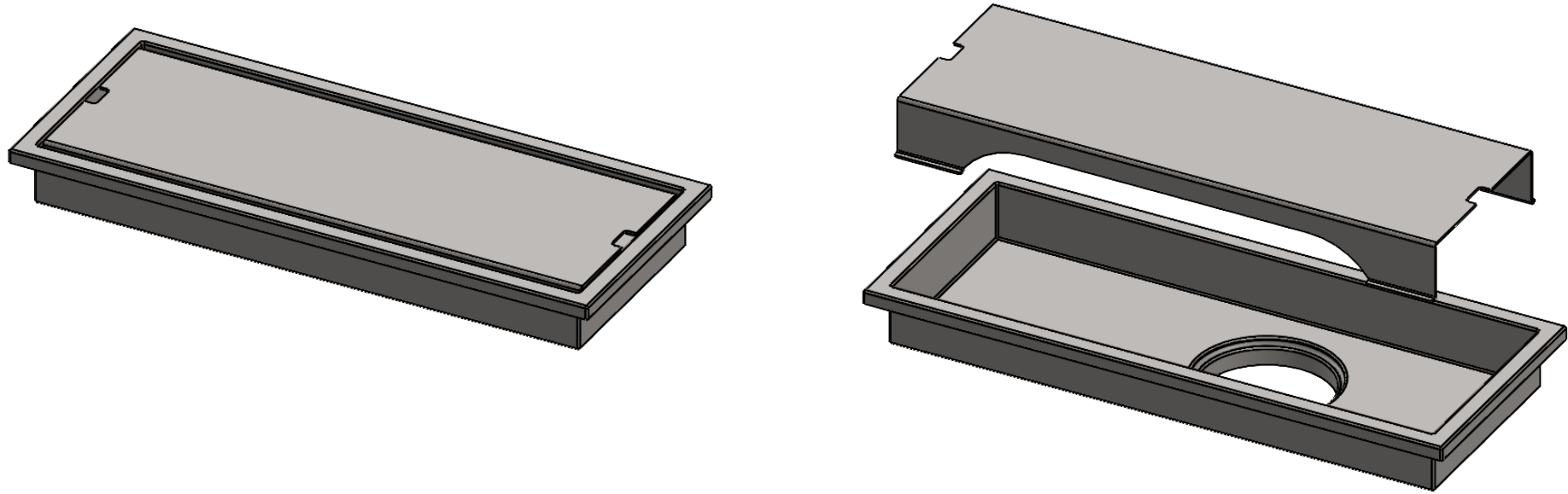


Back

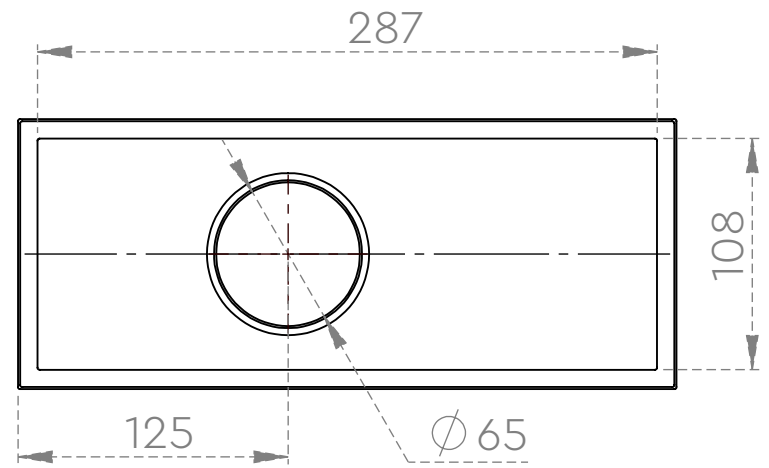
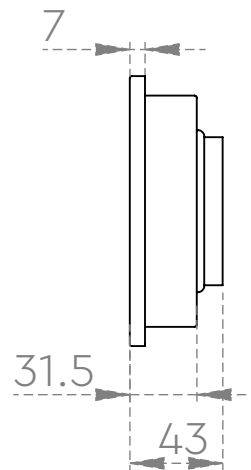
Note :-

- Frame made from 1mm sheet
- Grating made from 1mm sheet

TECHNICAL DRAWING SHEET



Front

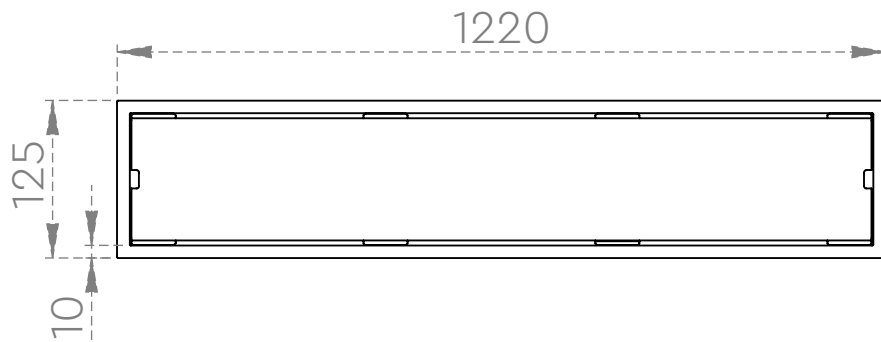
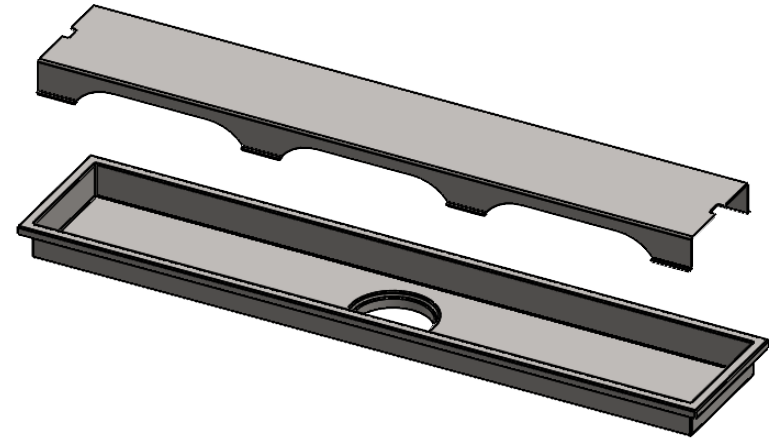
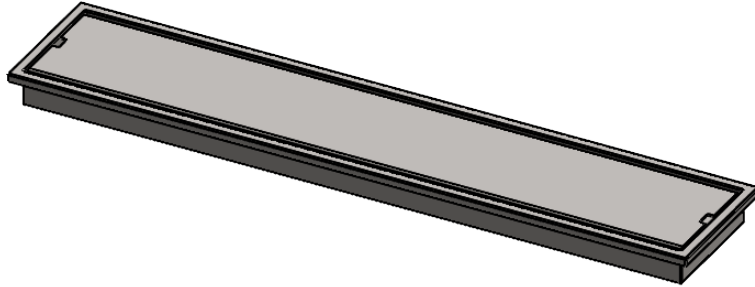


Back

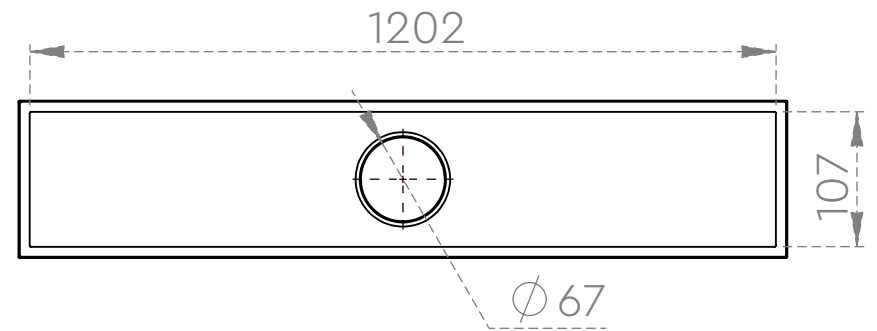
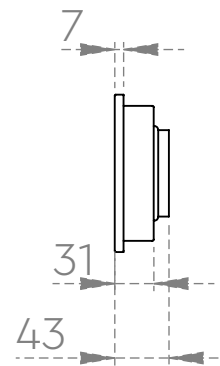
Note :-

- Frame made from 1mm sheet
- Grating made from 1mm sheet

TECHNICAL DRAWING SHEET



Front

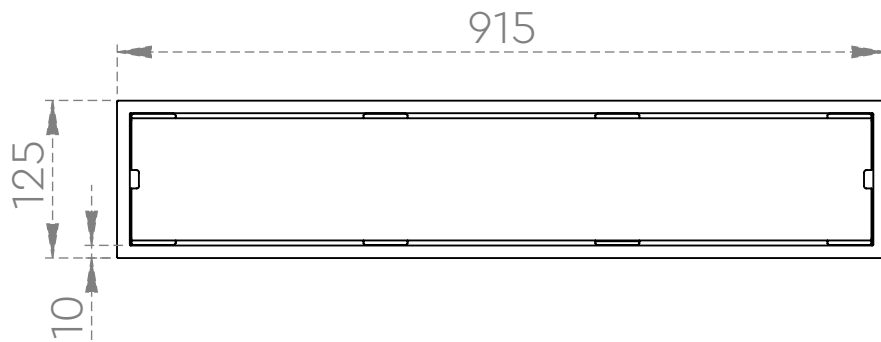
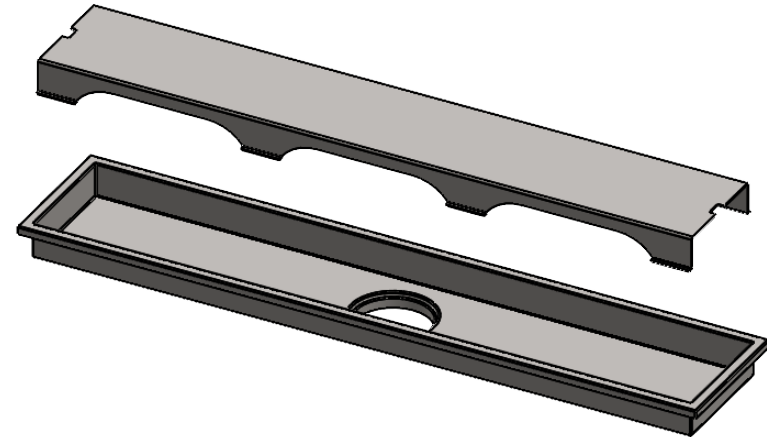
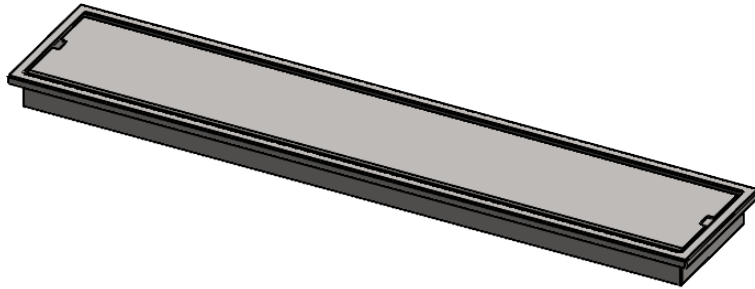


Back

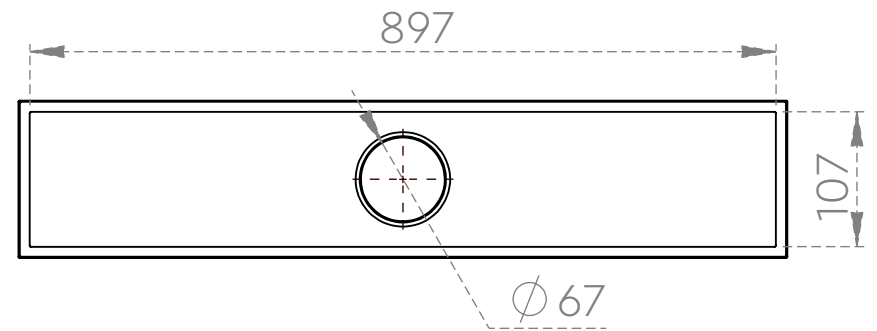
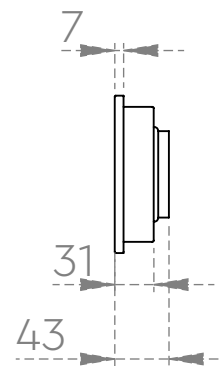
Note :-

- Frame made from 1mm sheet
- Grating made from 1mm sheet

TECHNICAL DRAWING SHEET



Front

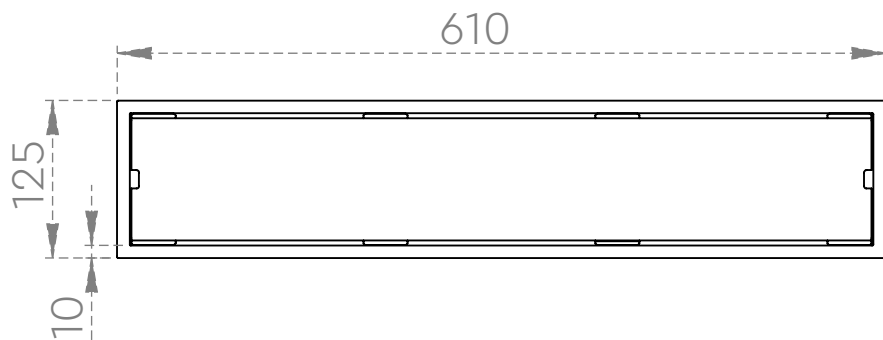
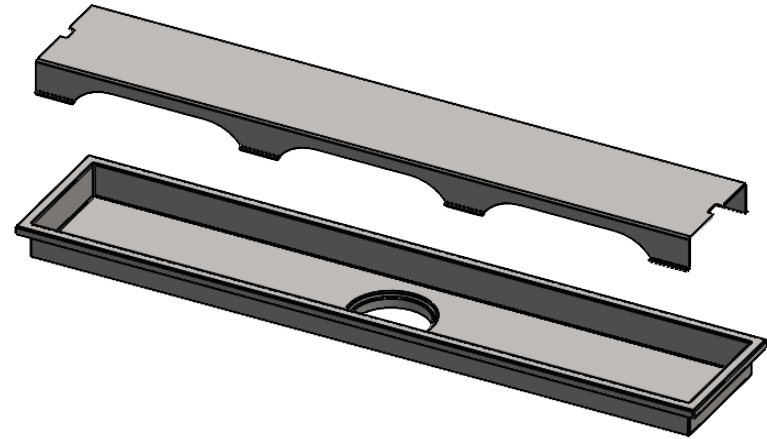
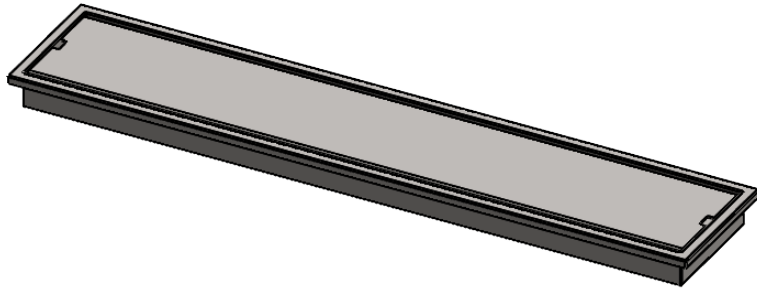


Back

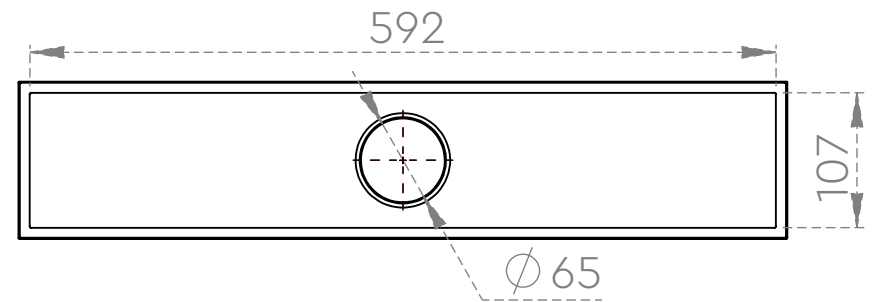
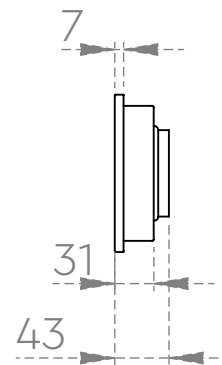
Note :-

- Frame made from 1mm sheet
- Grating made from 1mm sheet

TECHNICAL DRAWING SHEET



Front

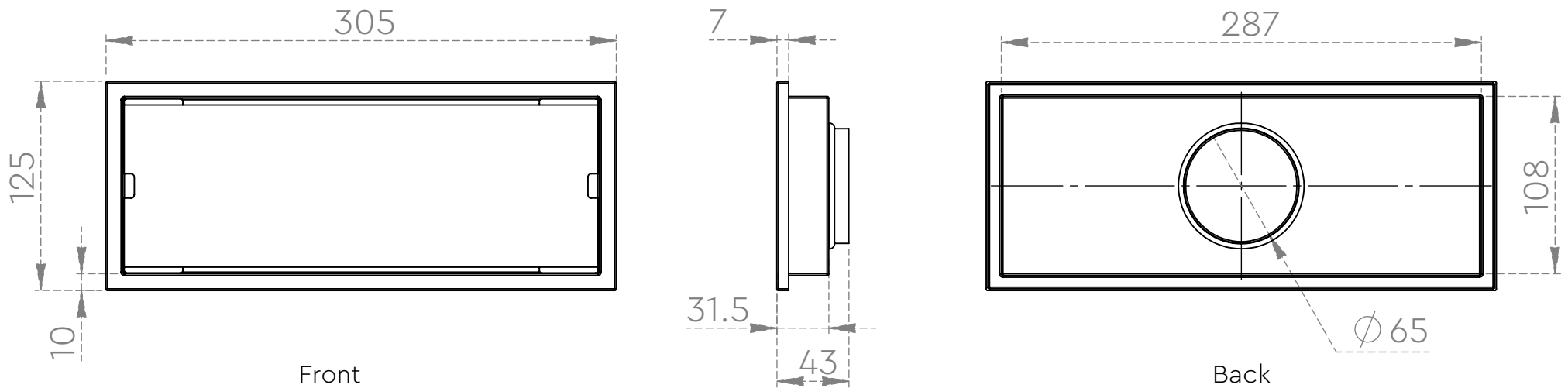
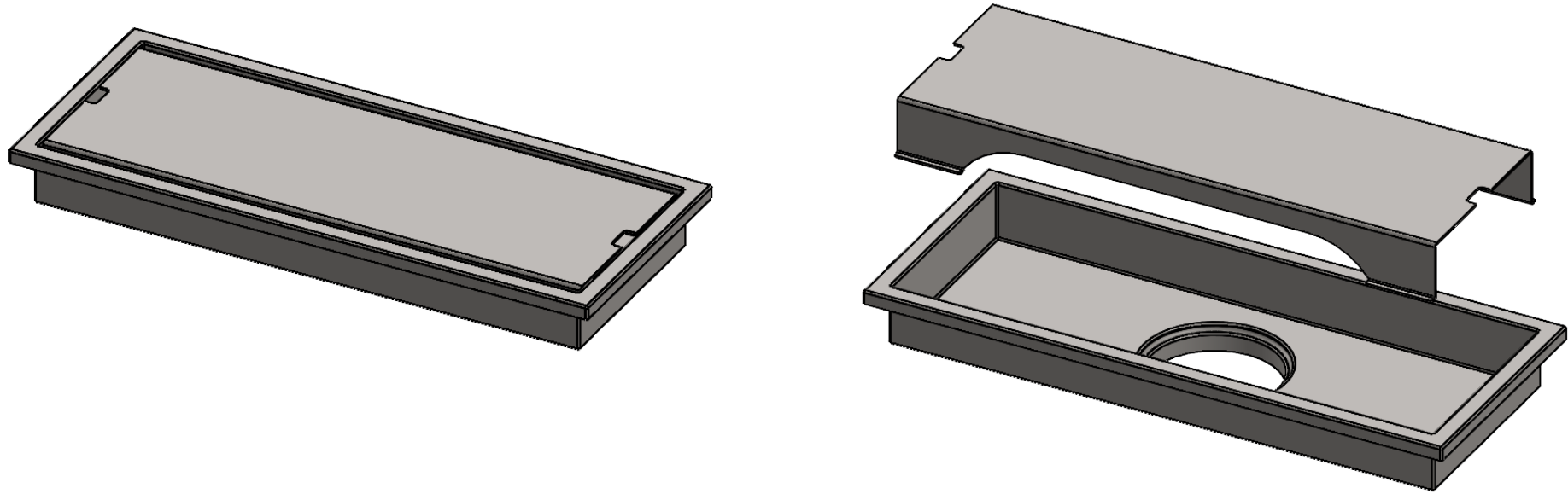


Back

Note :-

- Frame made from 1mm sheet
- Grating made from 1mm sheet

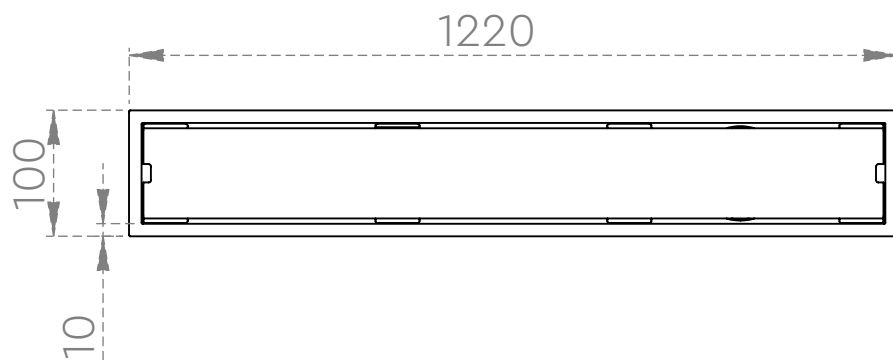
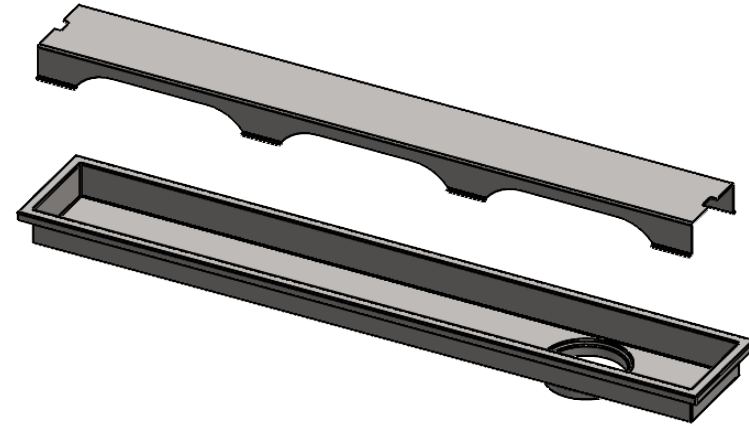
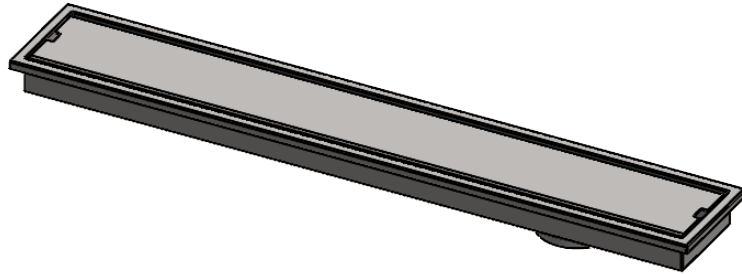
TECHNICAL DRAWING SHEET



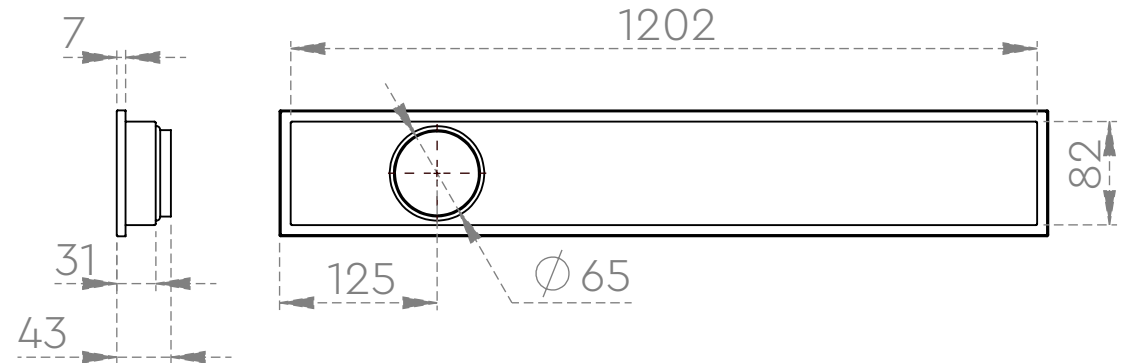
Note :-

- Frame made from 1mm sheet
- Grating made from 1mm sheet

TECHNICAL DRAWING SHEET



Front

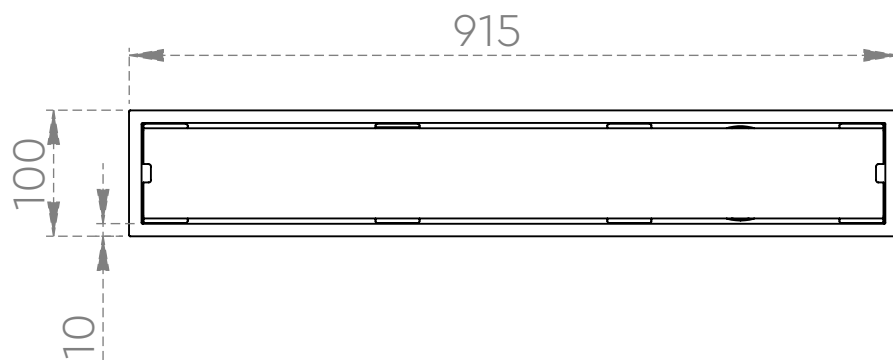
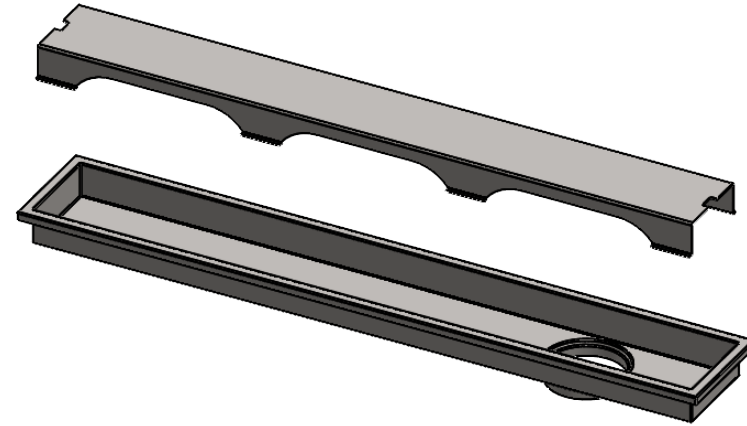
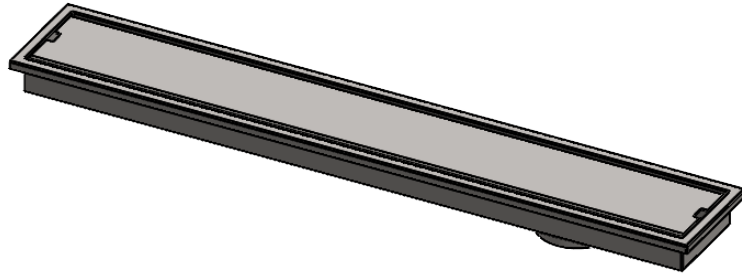


Back

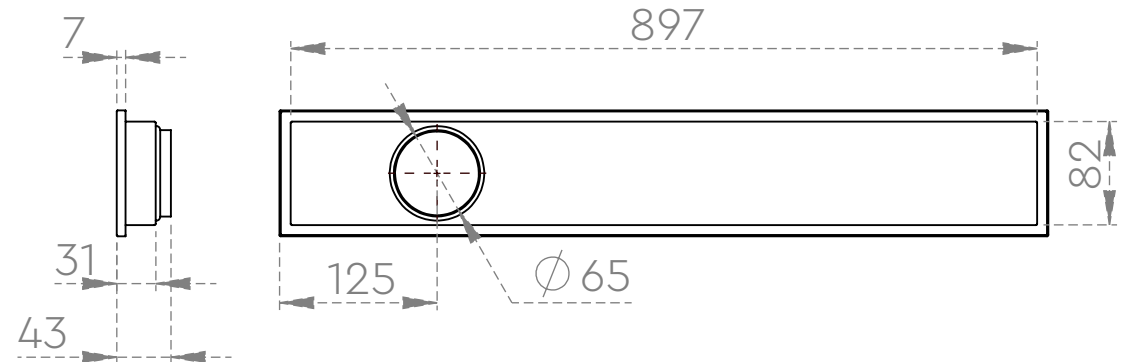
Note :-

- Frame made from 1mm sheet
- Grating made from 1mm sheet

TECHNICAL DRAWING SHEET



Front

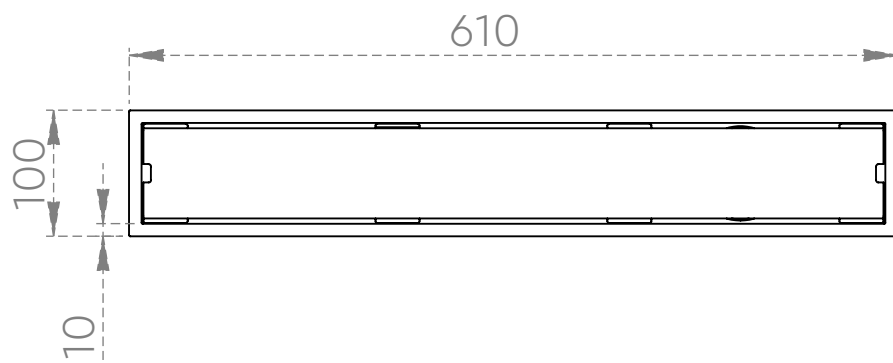
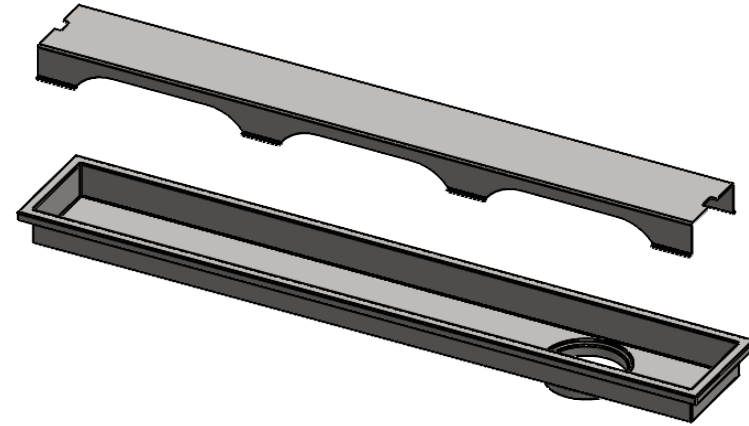
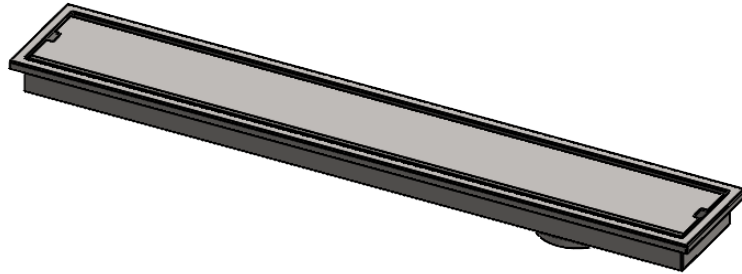


Back

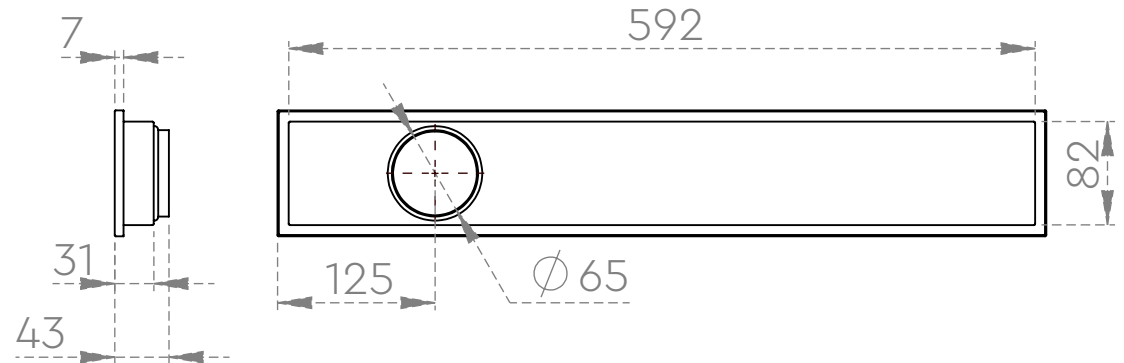
Note :-

- Frame made from 1mm sheet
- Grating made from 1mm sheet

TECHNICAL DRAWING SHEET



Front

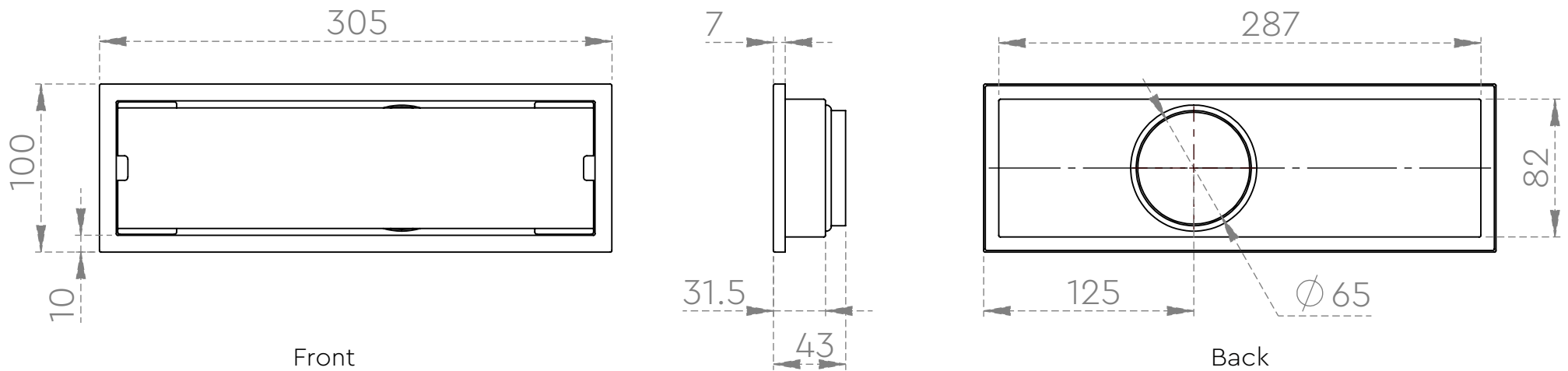
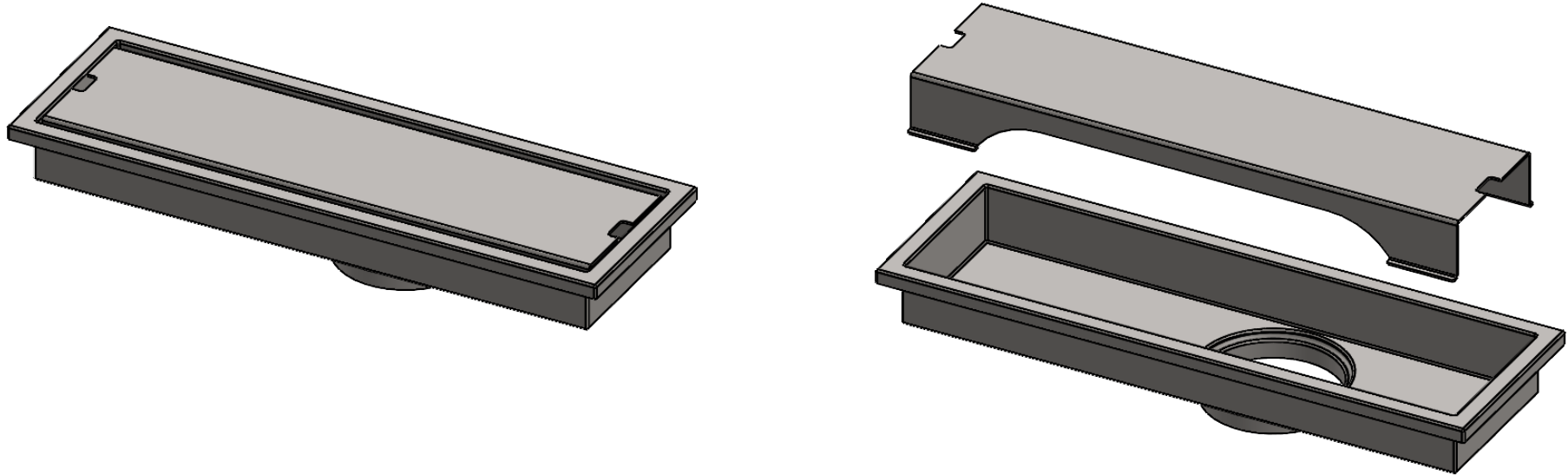


Back

Note :-

- Frame made from 1mm sheet
- Grating made from 1mm sheet

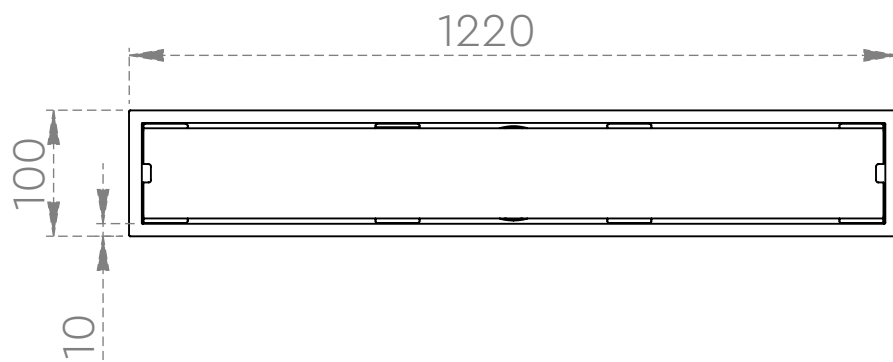
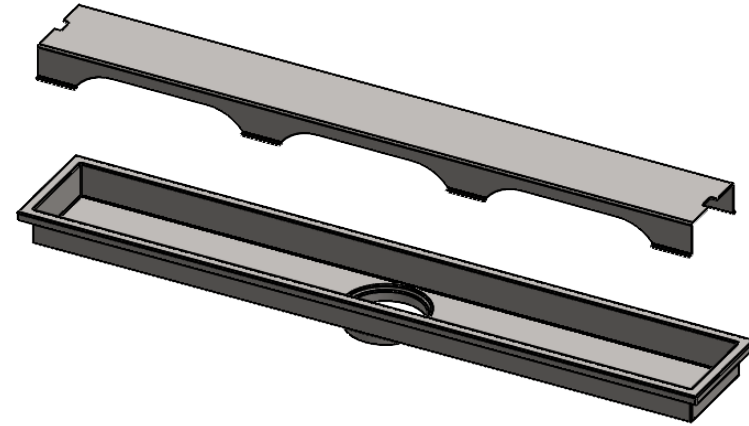
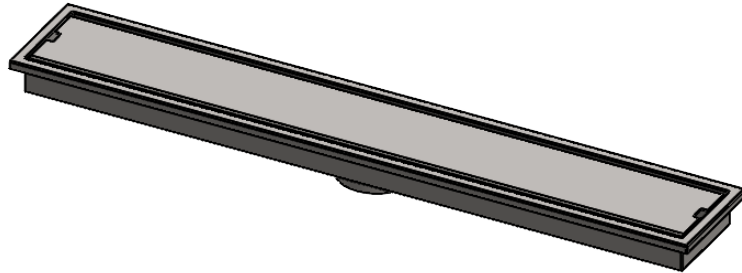
TECHNICAL DRAWING SHEET



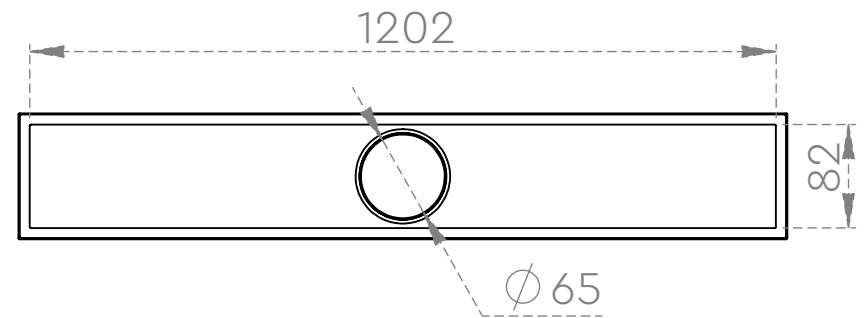
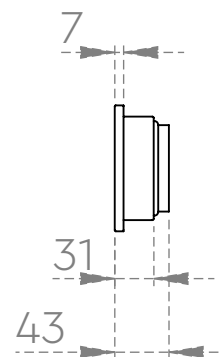
Note :-

- Frame made from 1mm sheet
- Grating made from 1mm sheet

TECHNICAL DRAWING SHEET



Front

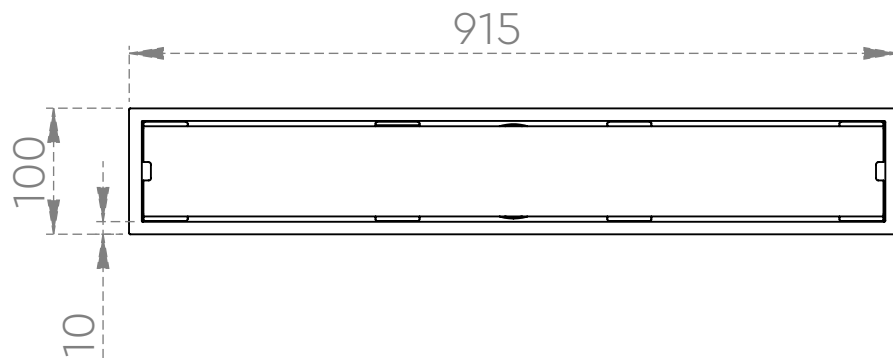
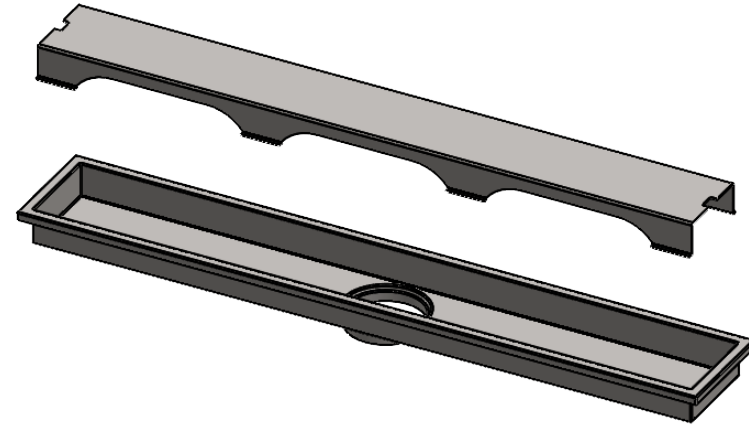
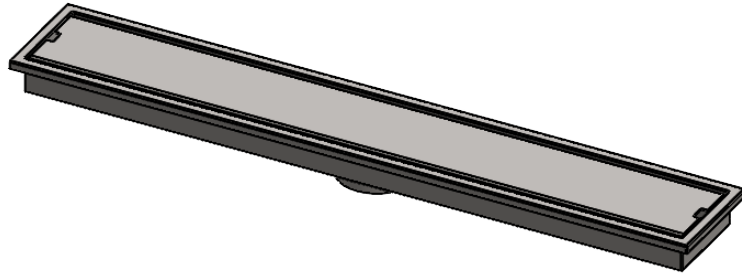


Back

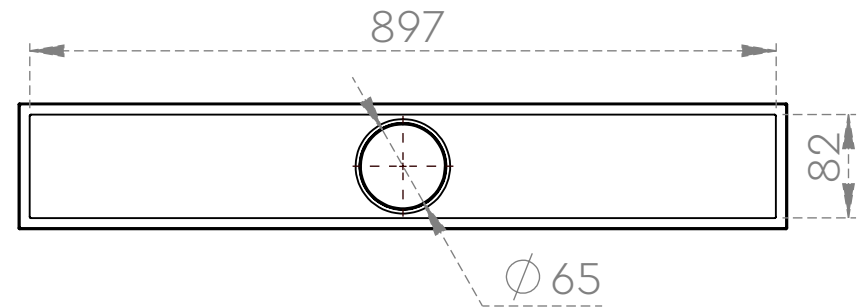
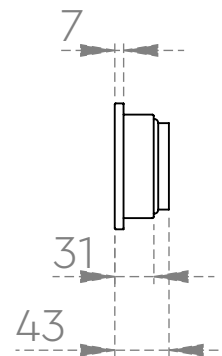
Note :-

- Frame made from 1mm sheet
- Grating made from 1mm sheet

TECHNICAL DRAWING SHEET



Front

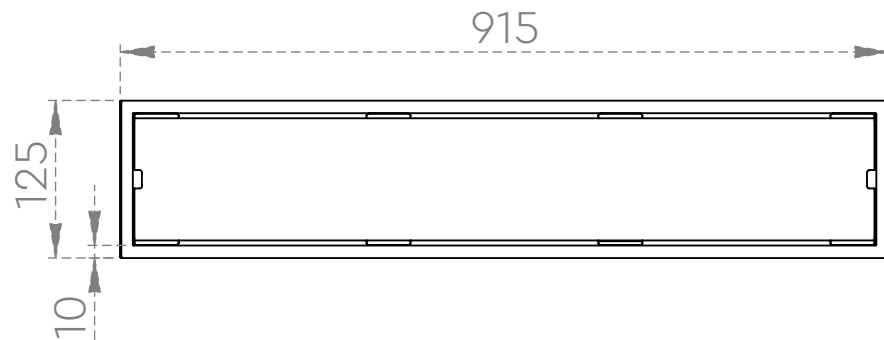
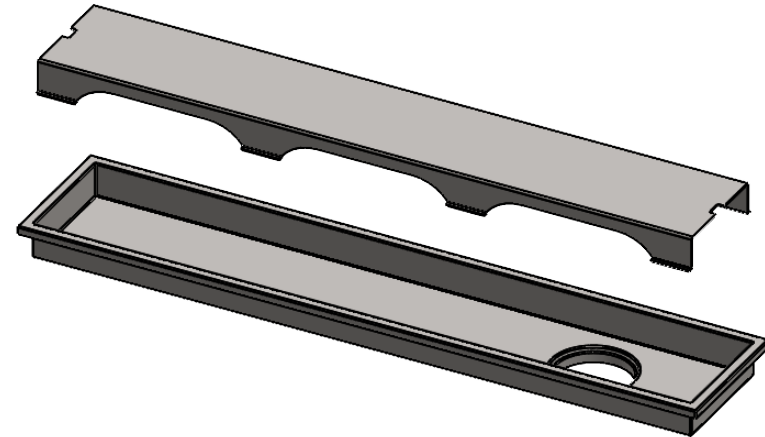
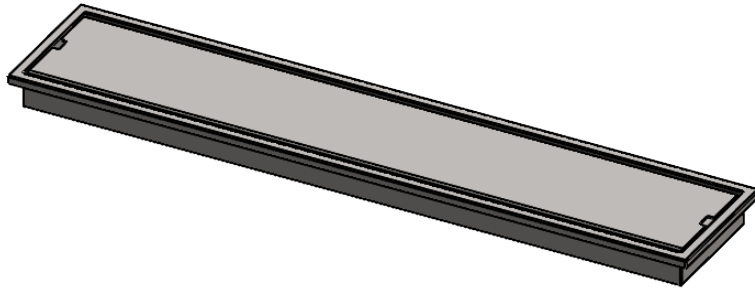


Back

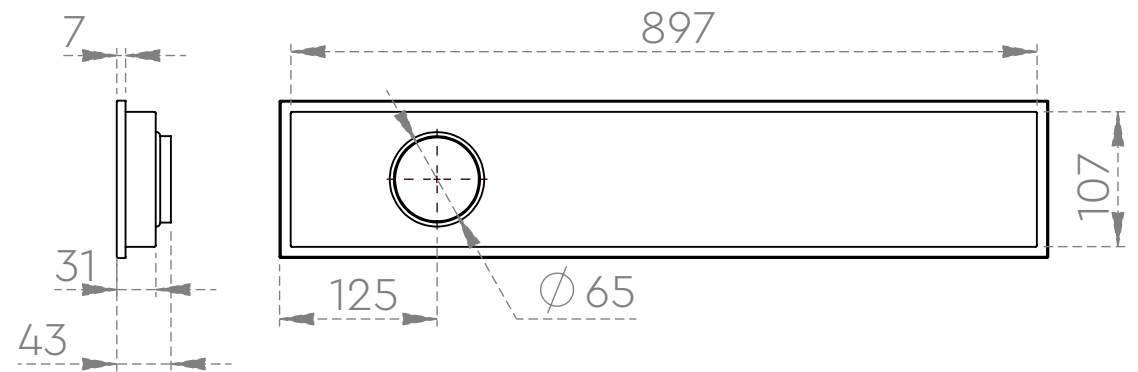
Note :-

- Frame made from 1mm sheet
- Grating made from 1mm sheet

TECHNICAL DRAWING SHEET



Front

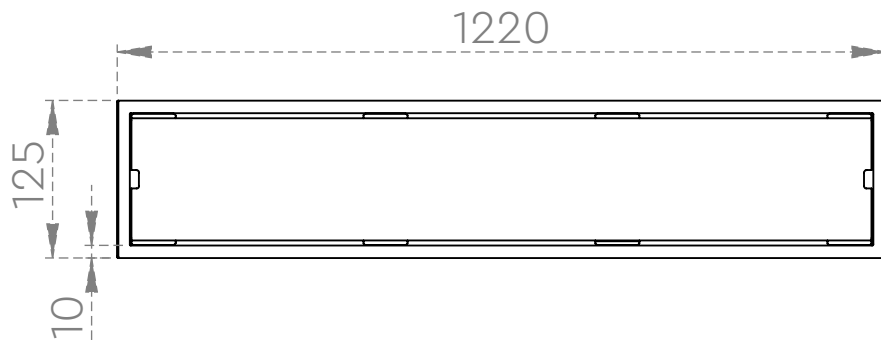
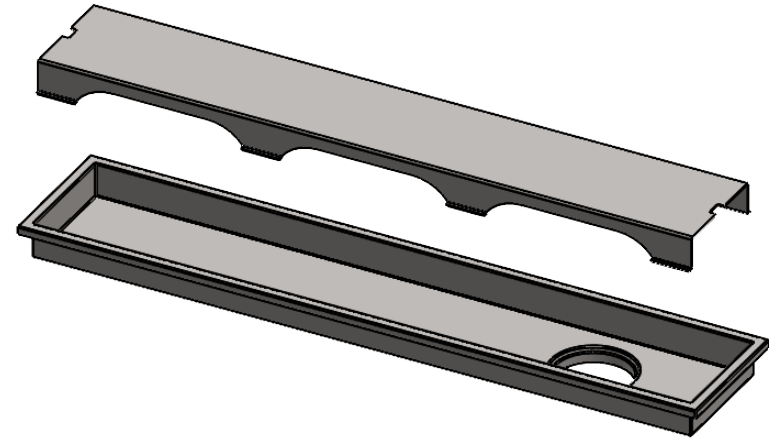
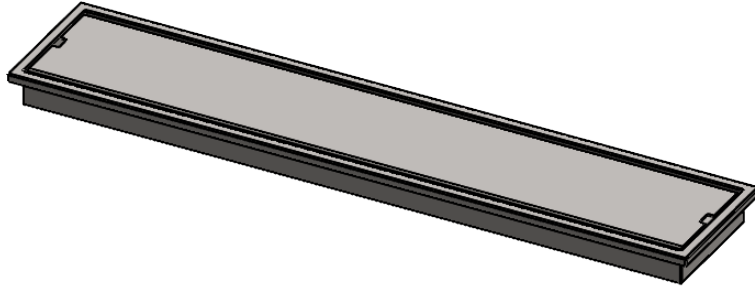


Back

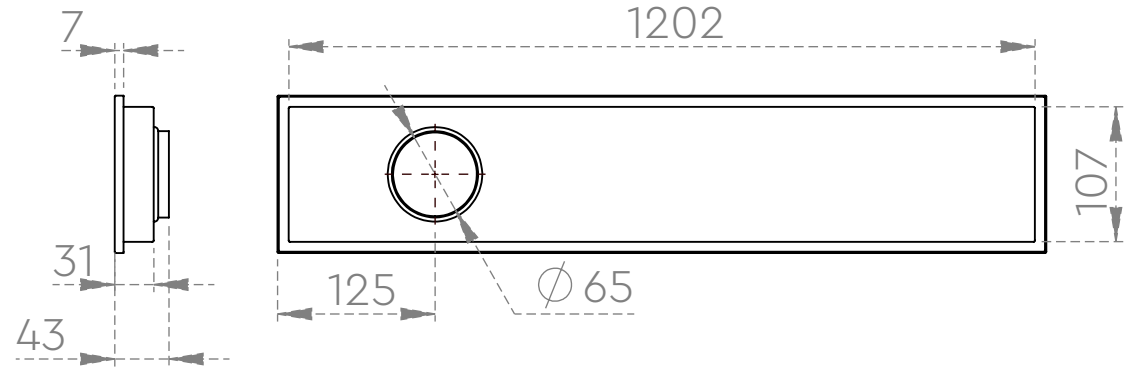
Note :-

- Frame made from 1mm sheet
- Grating made from 1mm sheet

TECHNICAL DRAWING SHEET



Front



Back

Note :-

- Frame made from 1mm sheet
- Grating made from 1mm sheet