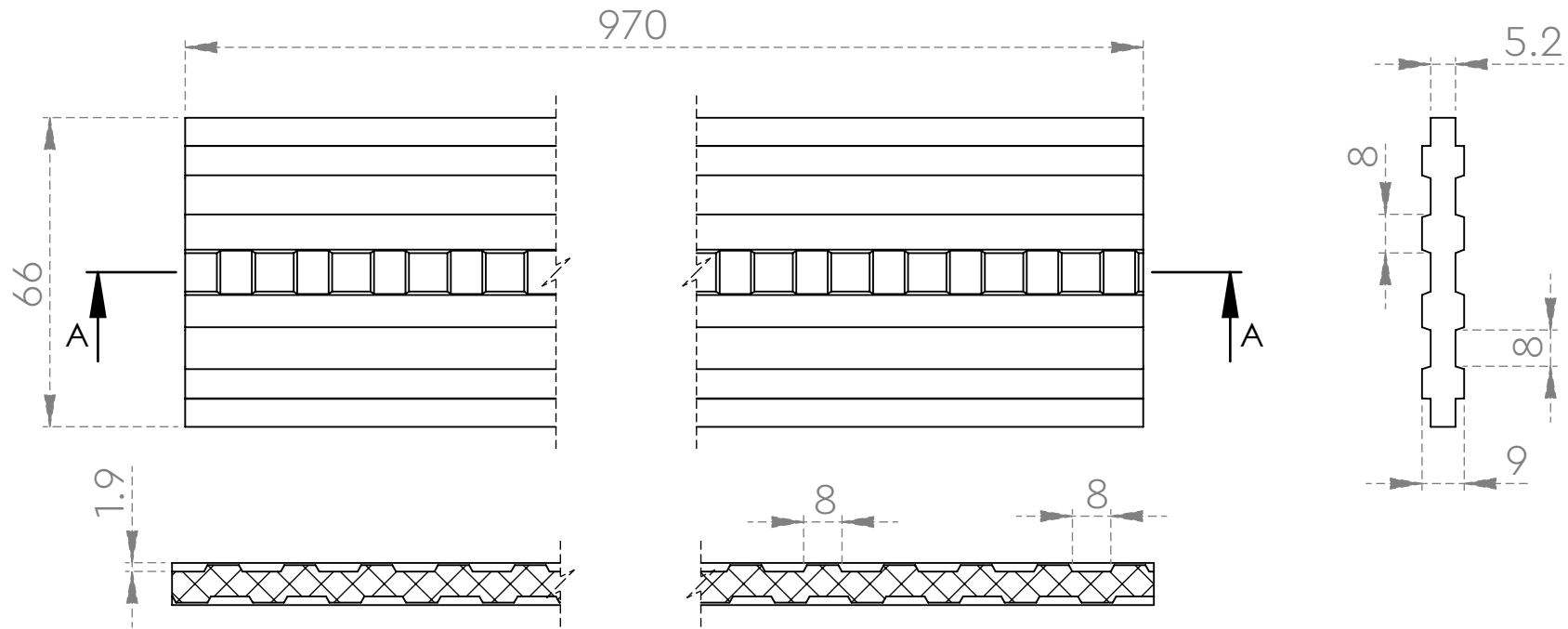
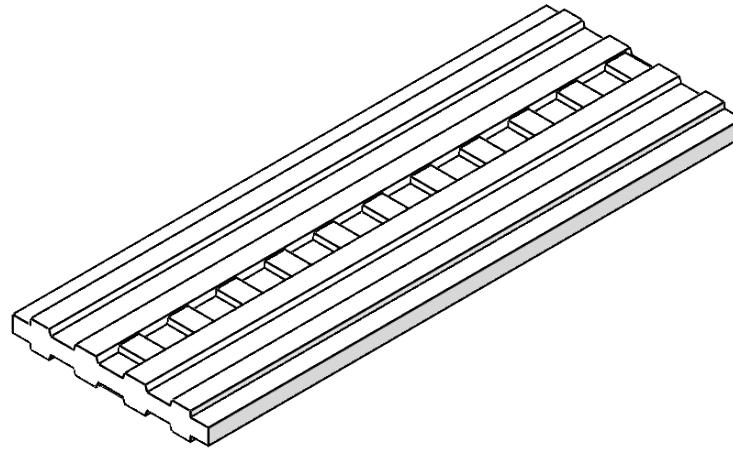
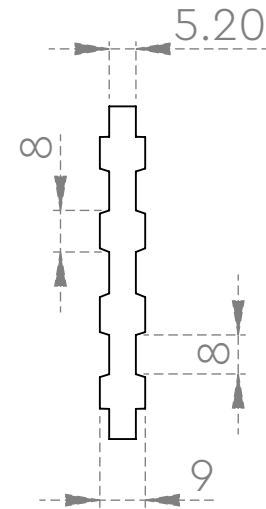
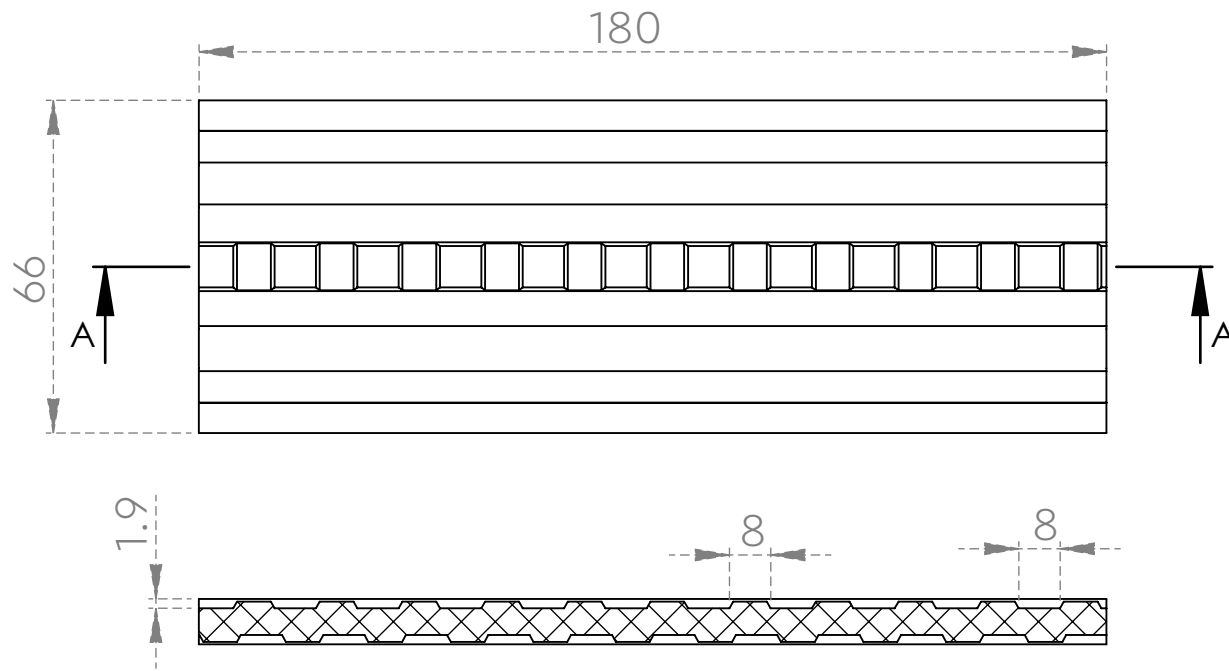
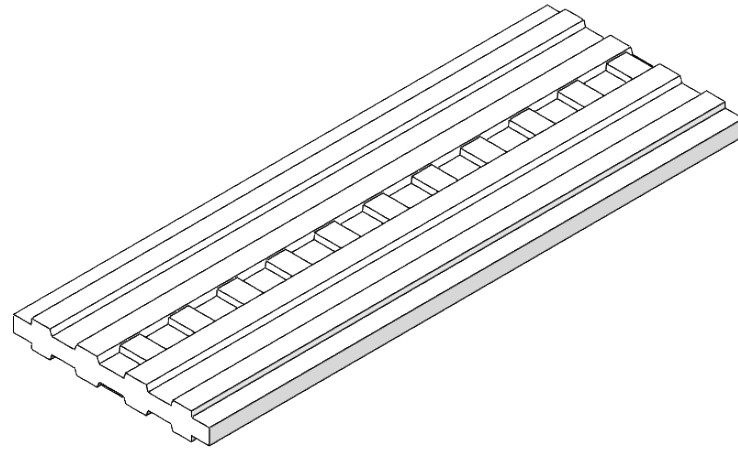


# TECHNICAL DRAWING SHEET



# TECHNICAL DRAWING SHEET



SECTION A-A