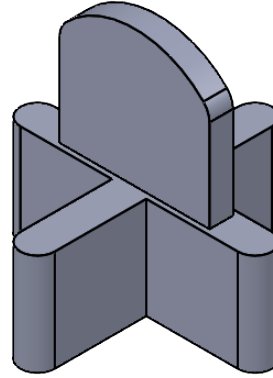
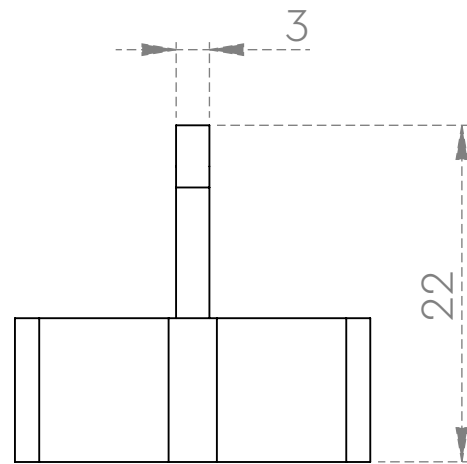
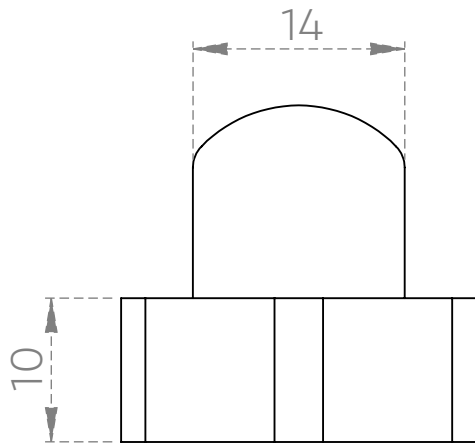
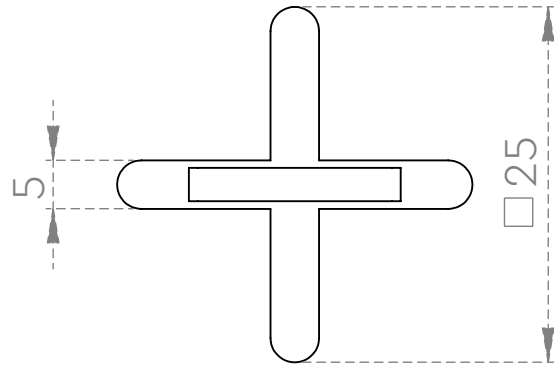


TECHNICAL DRAWING SHEET

The information in this drawing is the sole property of Sakshi Innovations. Any reproduction in part or as a whole without the written permission of Sakshi Innovations is prohibited.

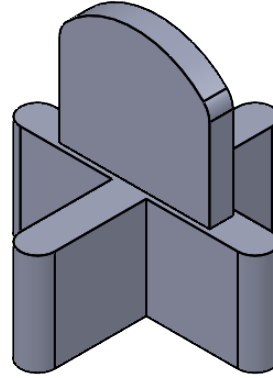
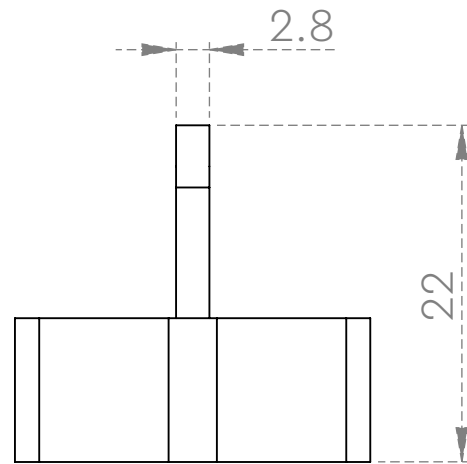
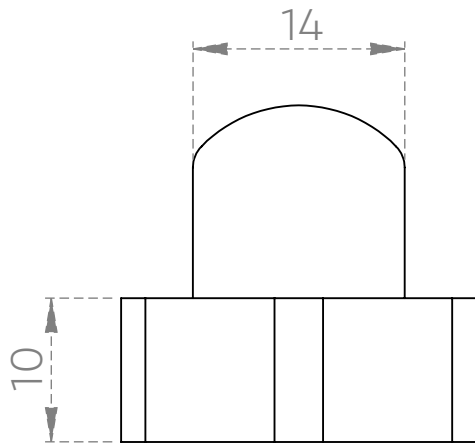
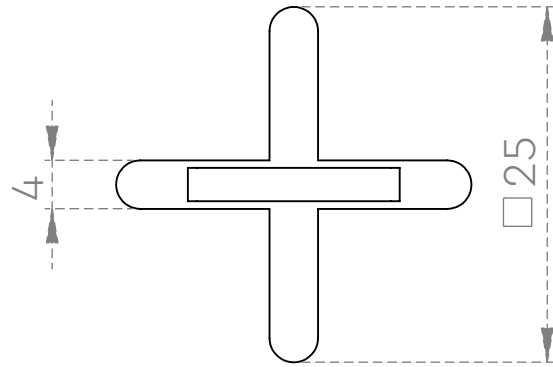


The information in this drawing is the sole property of Sakshi Innovations. Any reproduction in part or as a whole without the written permission of Sakshi Innovations is prohibited.

All dimensions are in mm.

TECHNICAL DRAWING SHEET

The information in this drawing is the sole property of Sakshi Innovations. Any reproduction in part or as a whole without the written permission of Sakshi Innovations is prohibited.



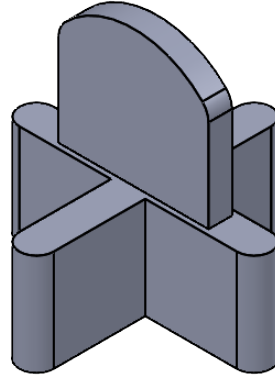
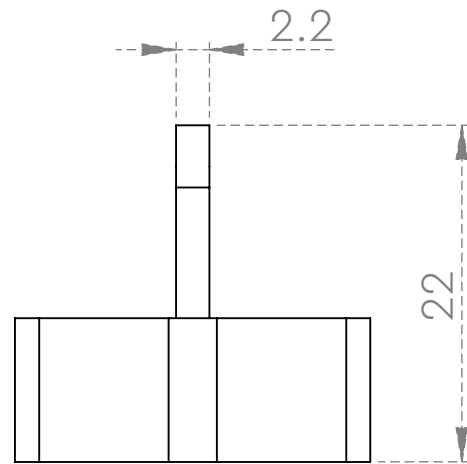
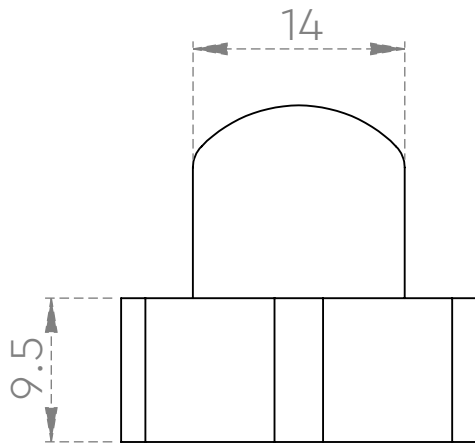
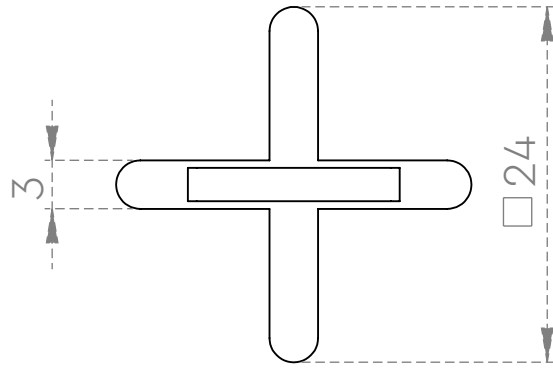
The information in this drawing is the sole property of Sakshi Innovations. Any reproduction in part or as a whole without the written permission of Sakshi Innovations is prohibited.

All dimensions are in mm.

TECHNICAL DRAWING SHEET

The information in this drawing is the sole property of Sakshi Innovations. Any reproduction in part or as a whole without the written permission of Sakshi Innovations is prohibited.

The information in this drawing is the sole property of Sakshi Innovations. Any reproduction in part or as a whole without the written permission of Sakshi Innovations is prohibited.



All dimensions are in mm.