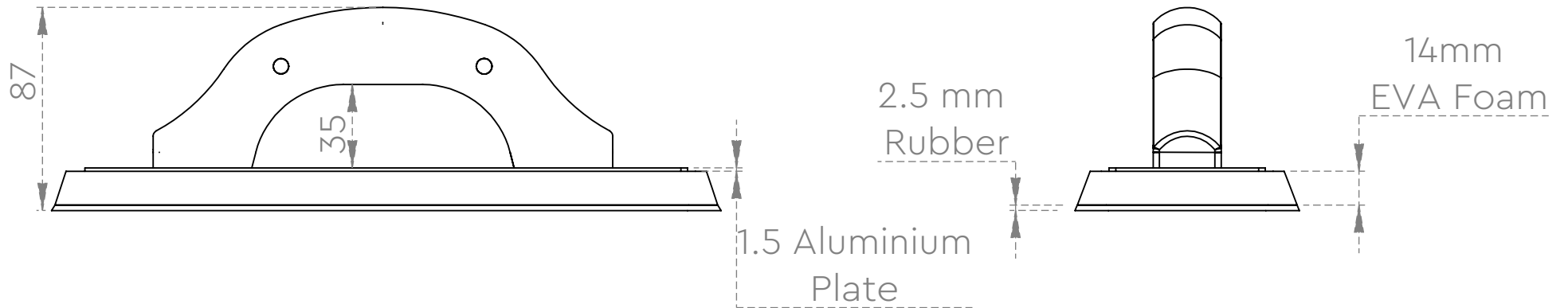
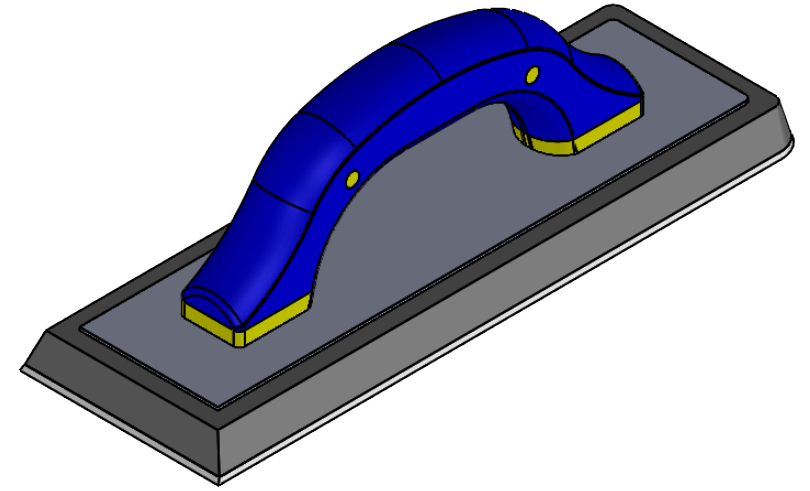
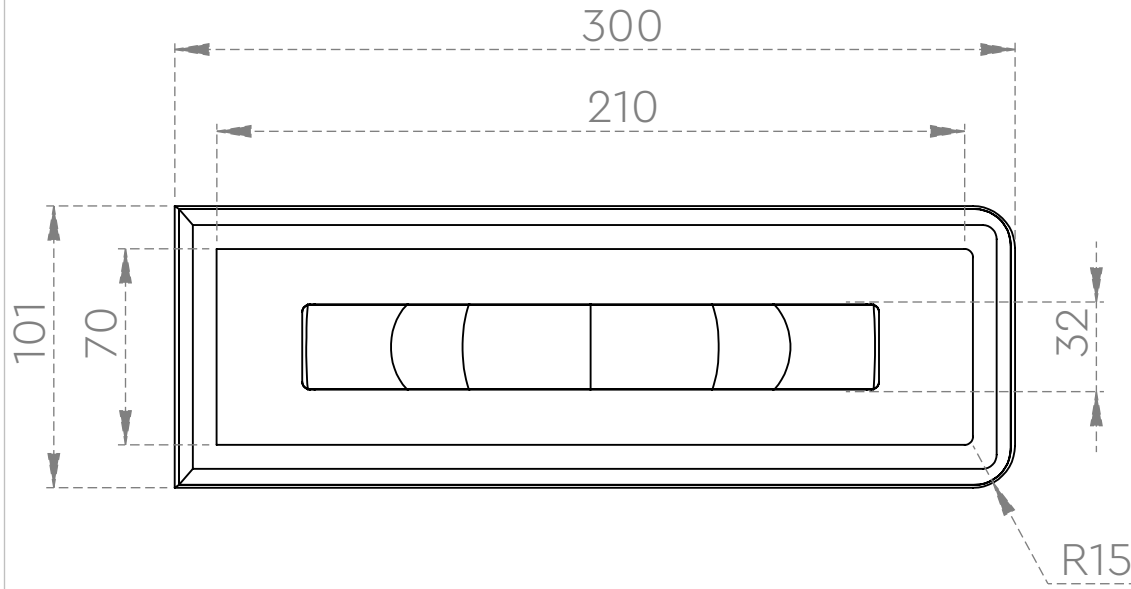


# TECHNICAL DRAWING SHEET



# TECHNICAL DRAWING SHEET

