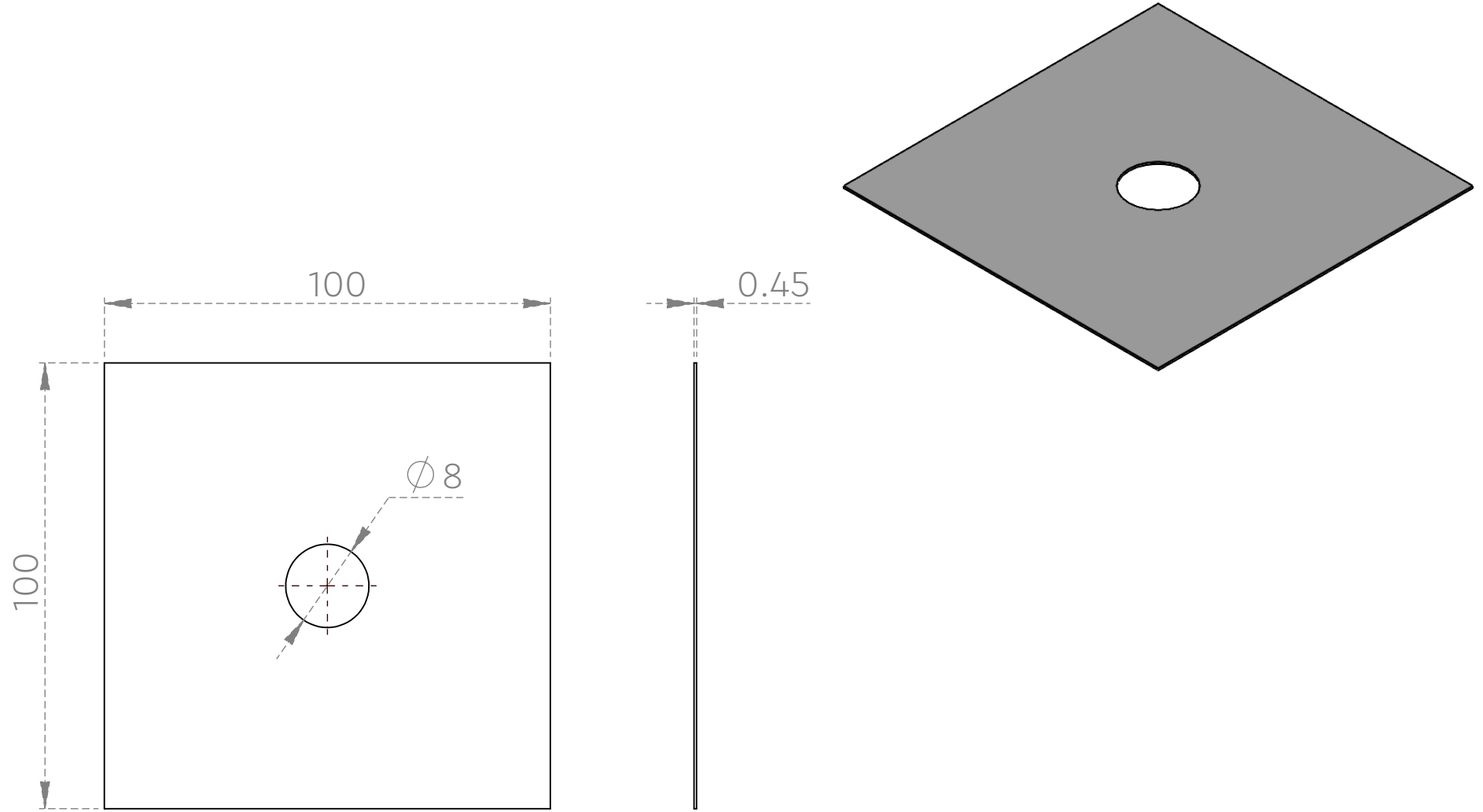
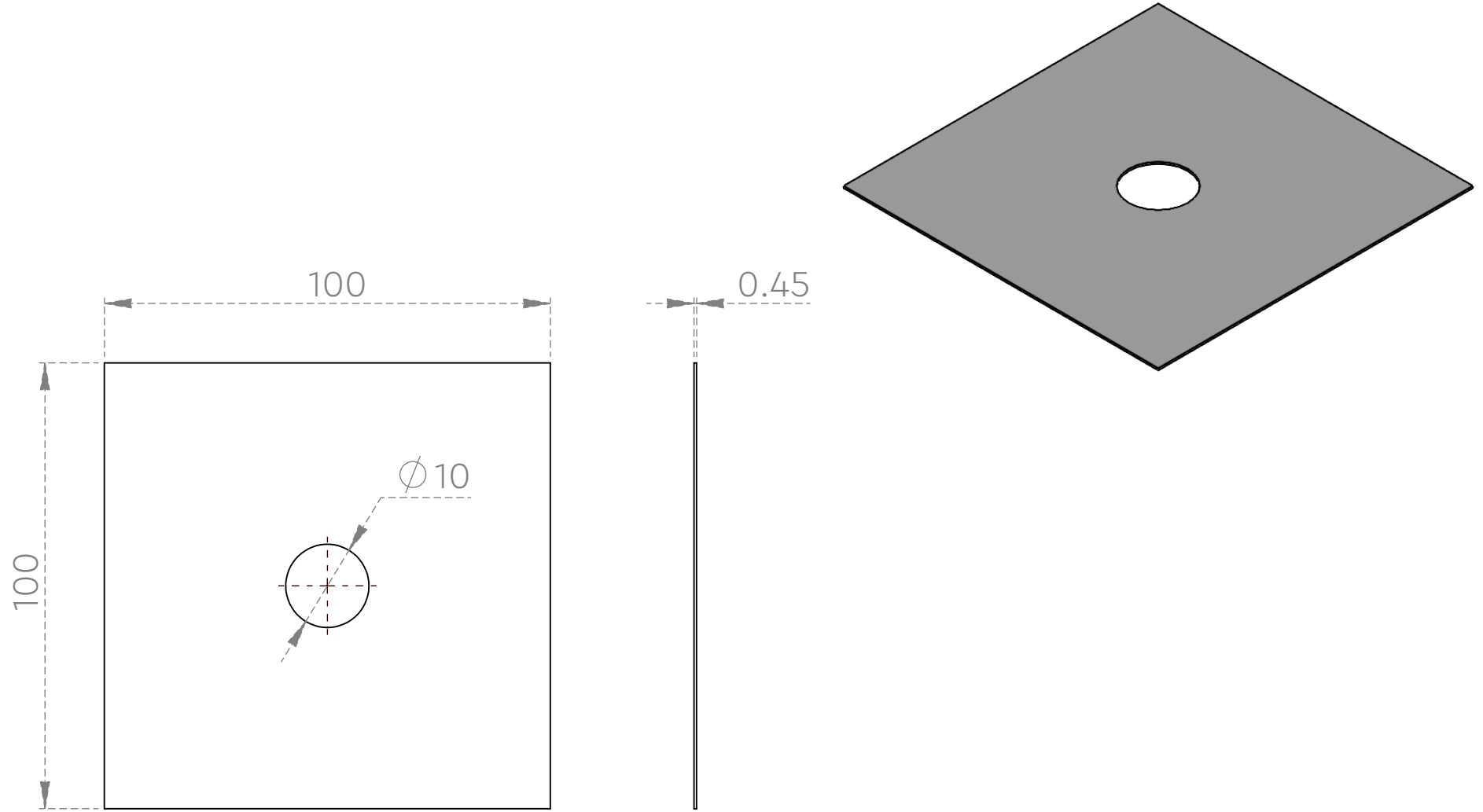


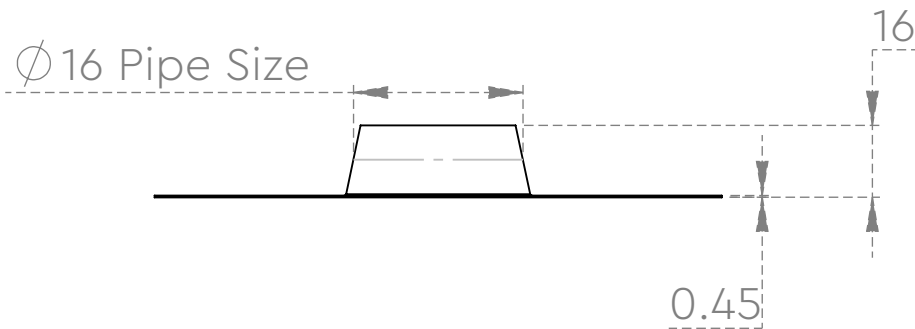
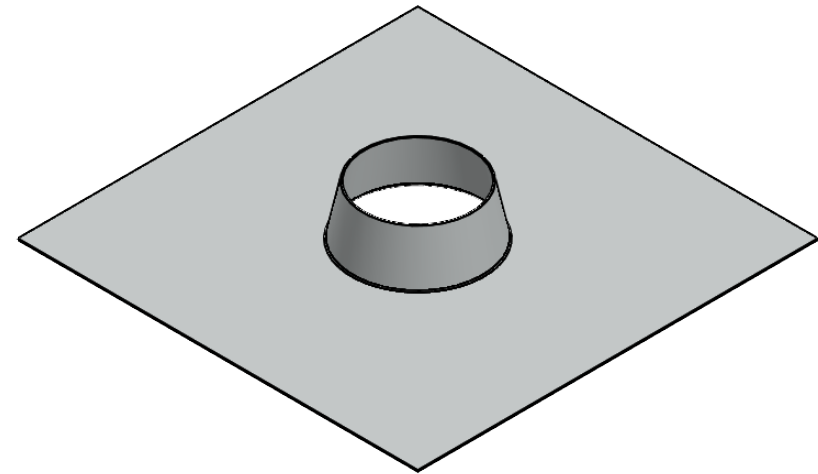
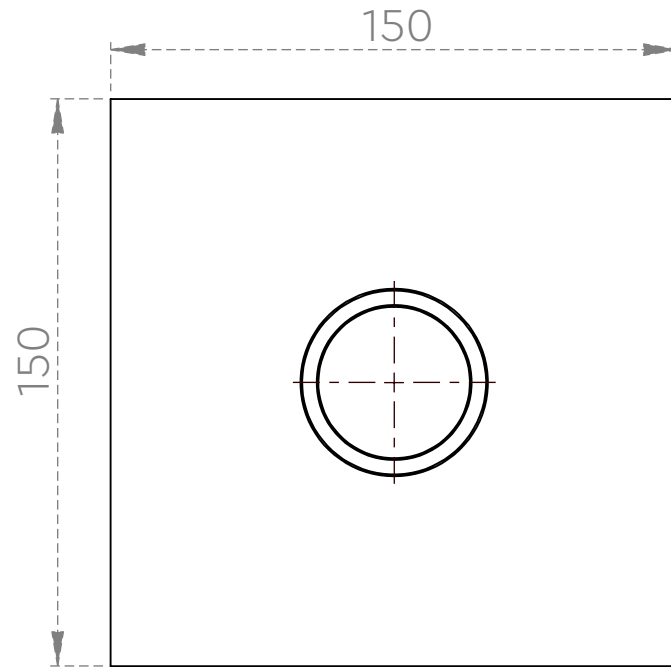
TECHNICAL DRAWING SHEET



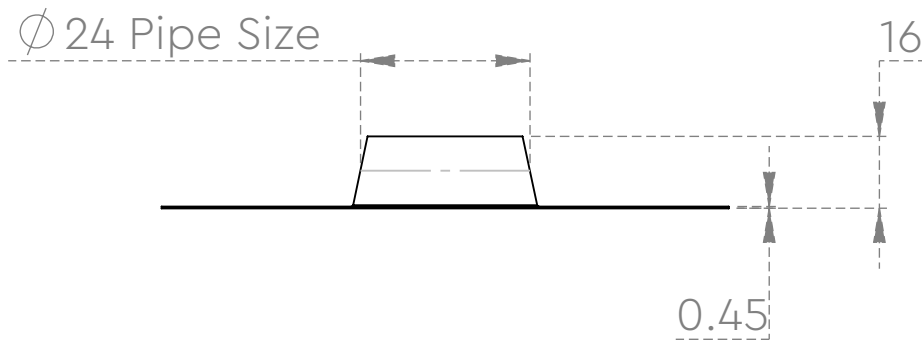
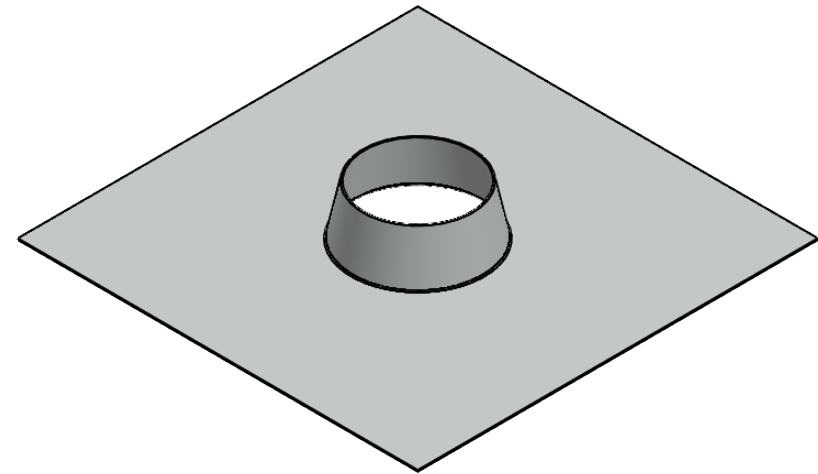
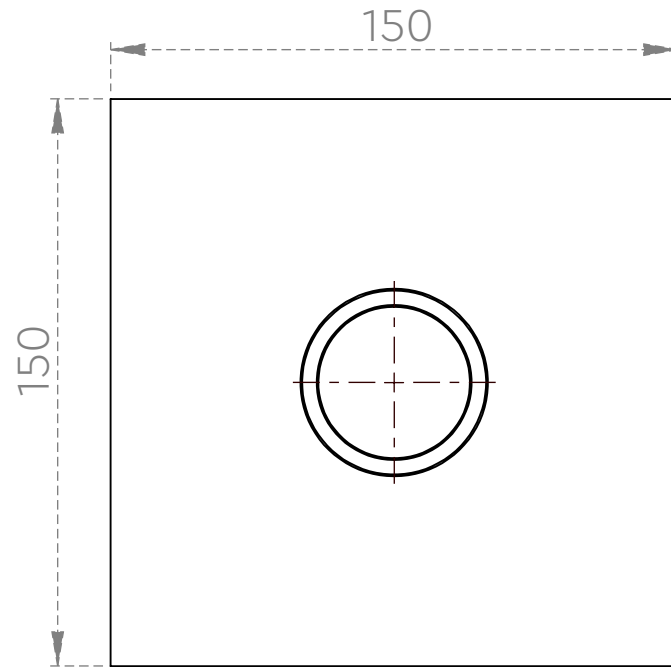
TECHNICAL DRAWING SHEET



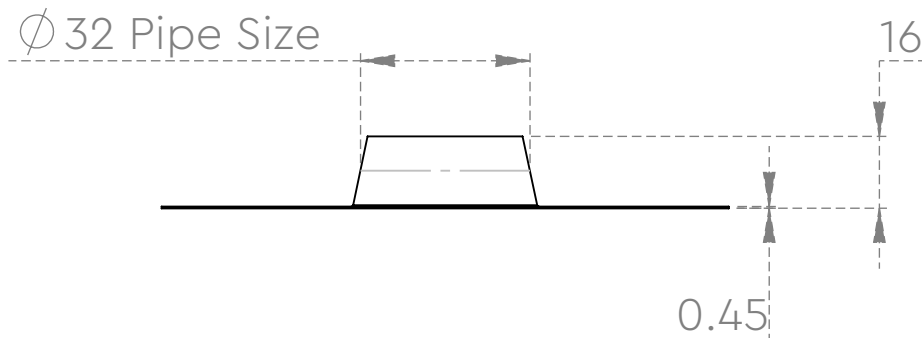
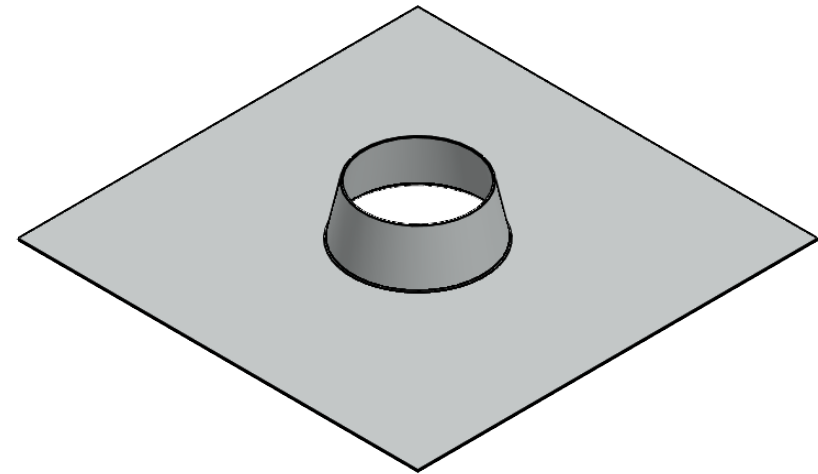
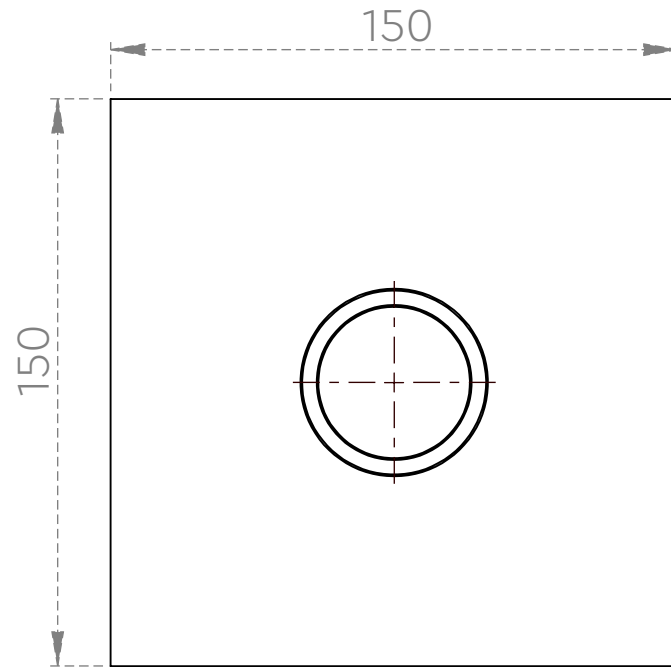
TECHNICAL DRAWING SHEET



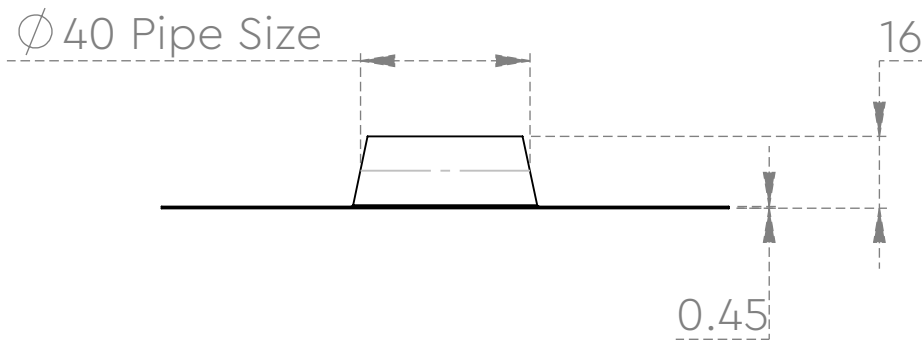
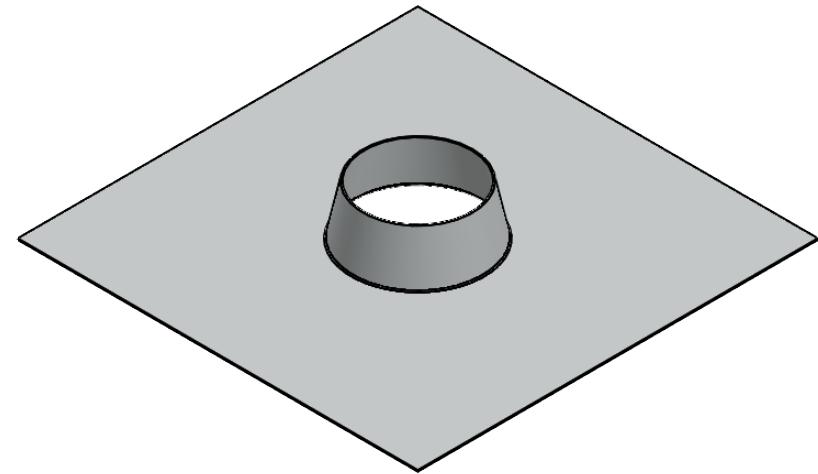
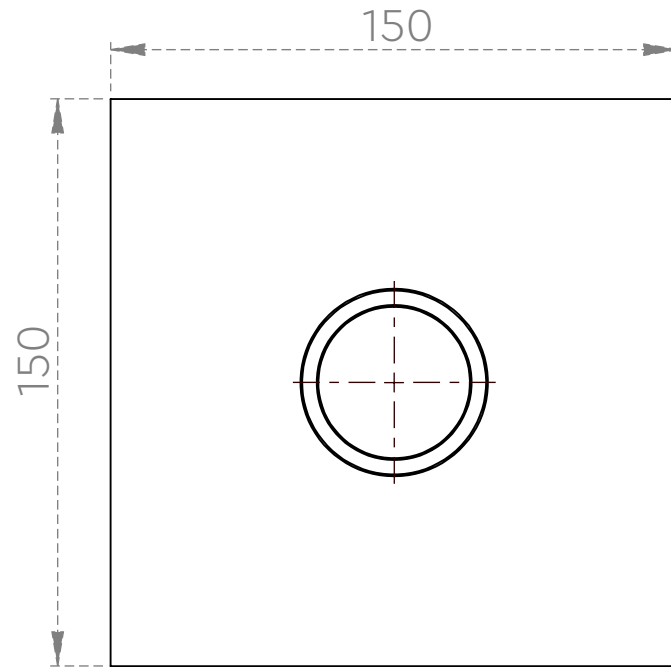
TECHNICAL DRAWING SHEET



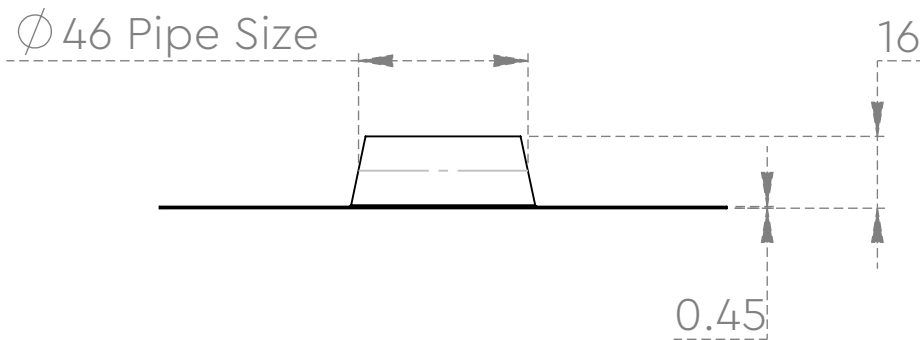
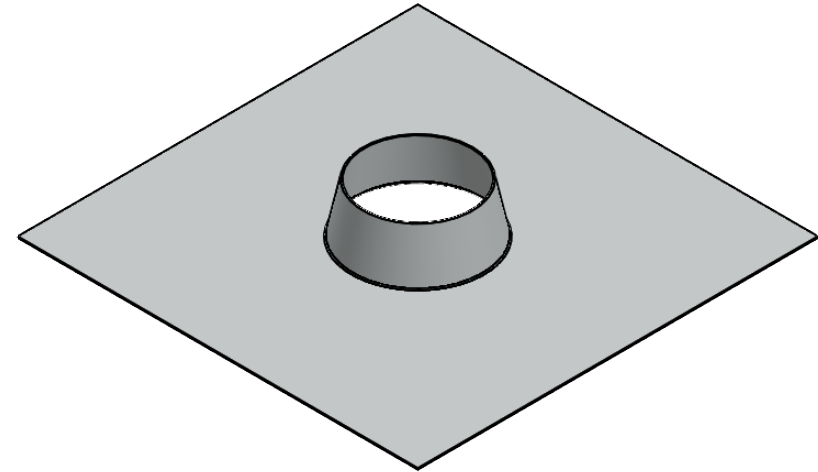
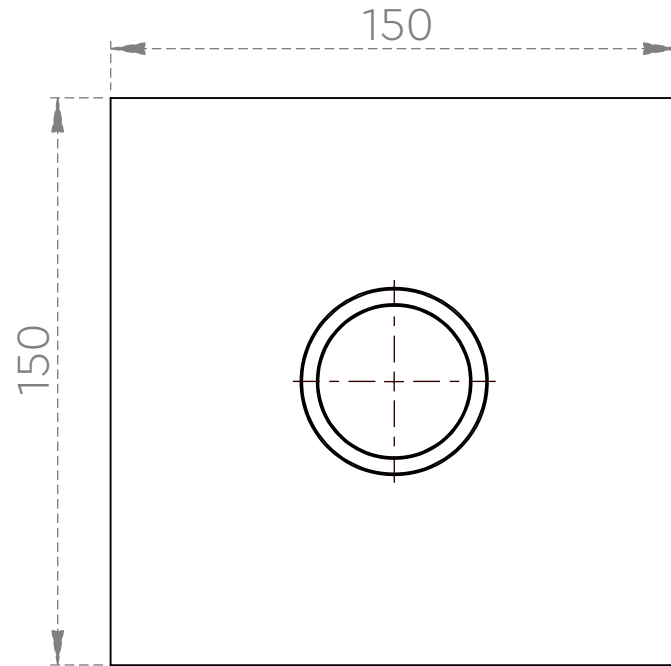
TECHNICAL DRAWING SHEET



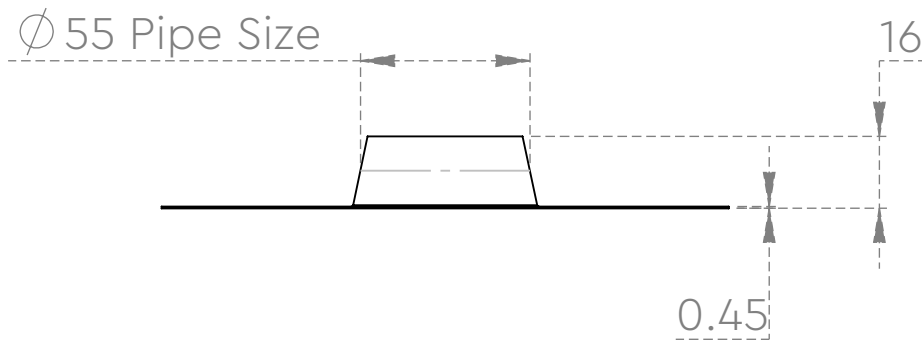
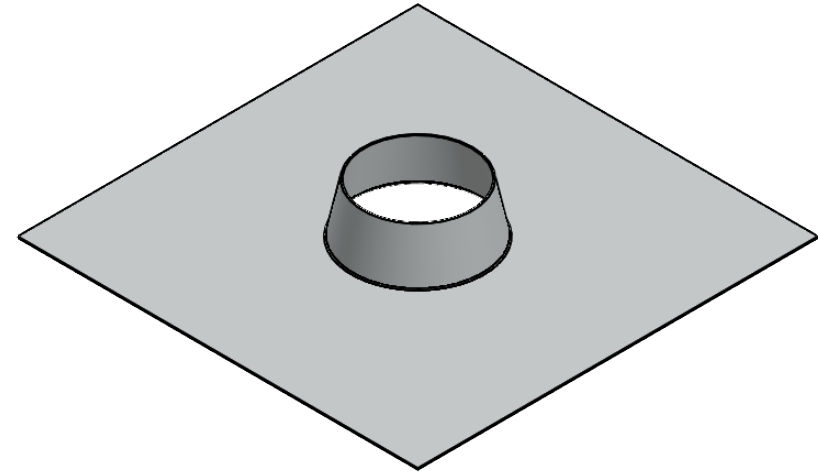
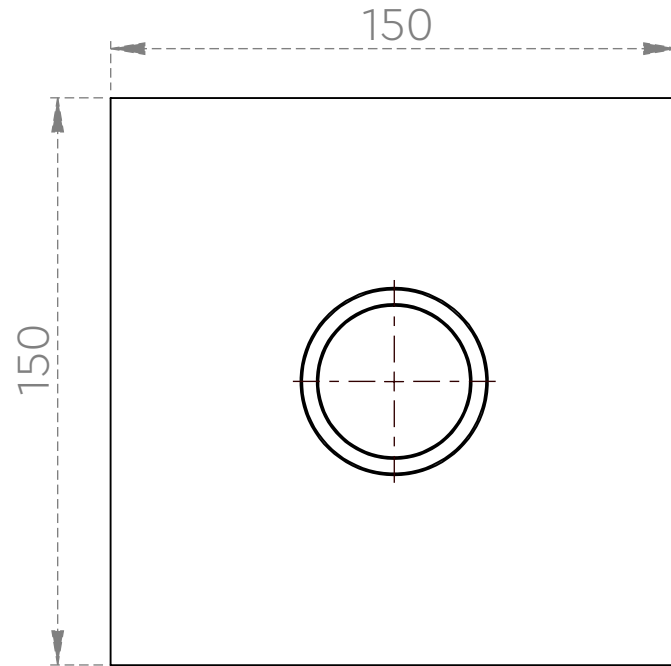
TECHNICAL DRAWING SHEET



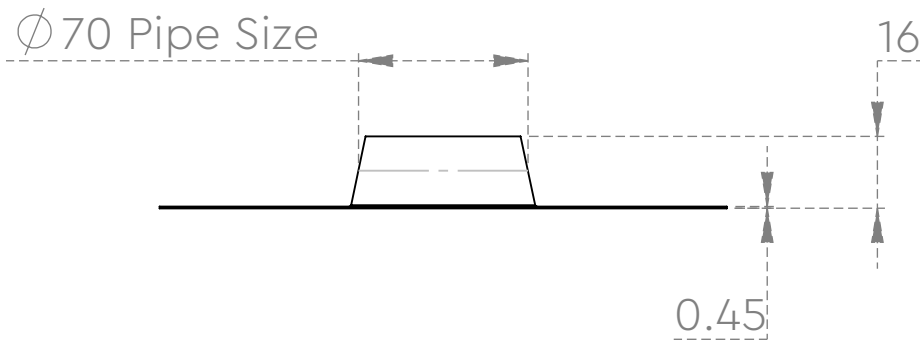
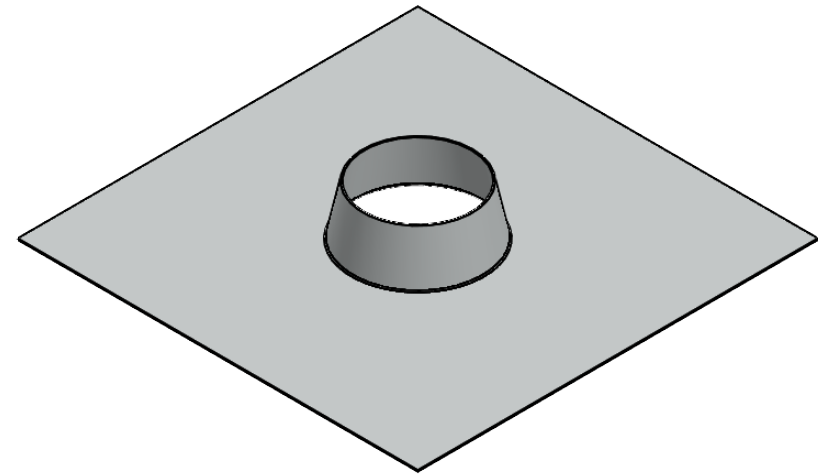
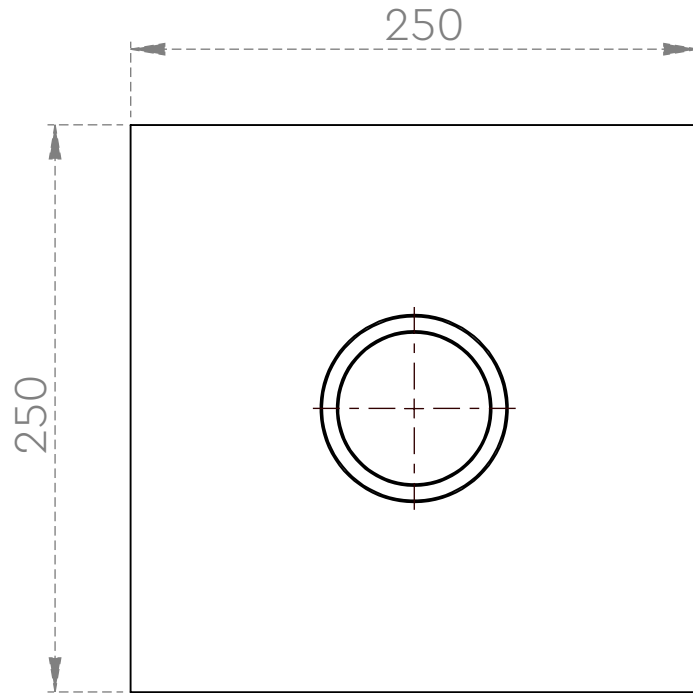
TECHNICAL DRAWING SHEET



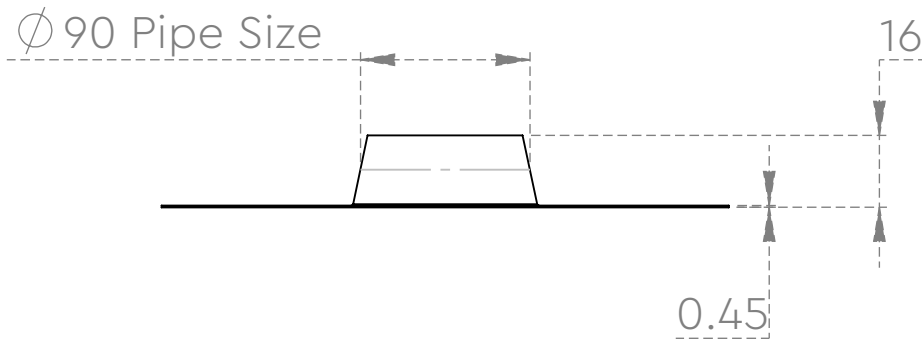
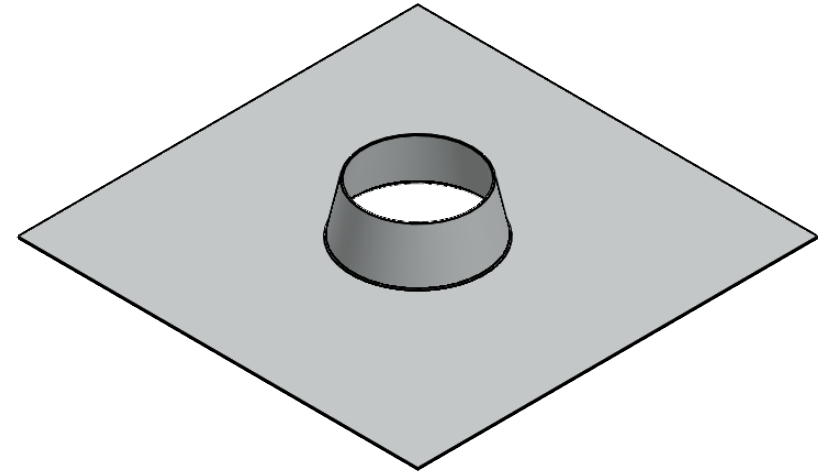
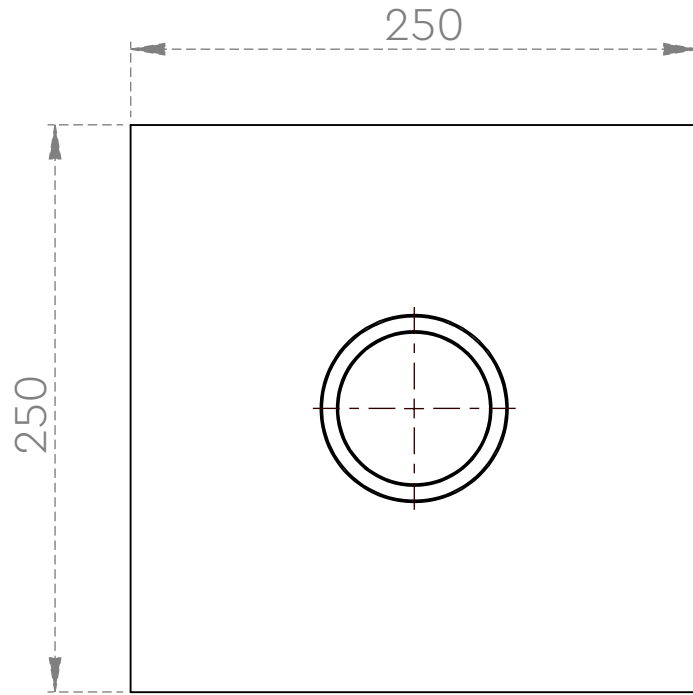
TECHNICAL DRAWING SHEET



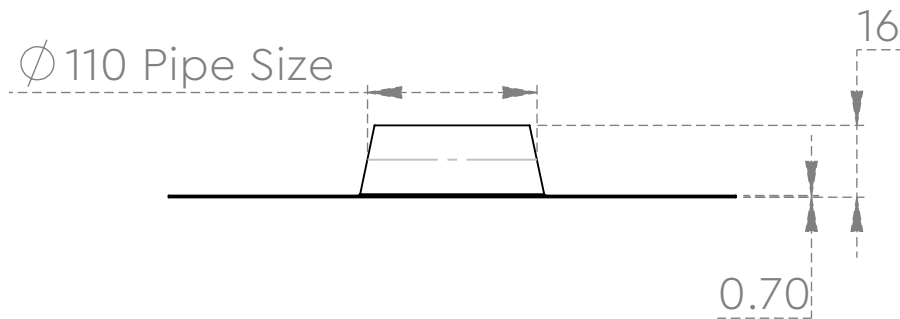
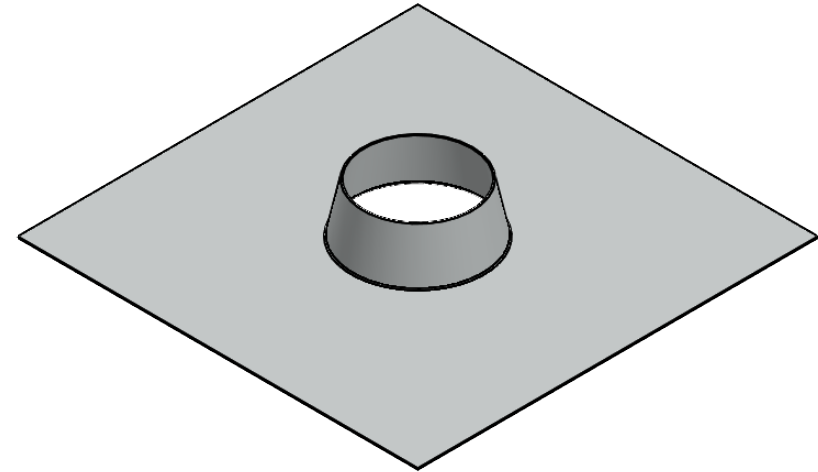
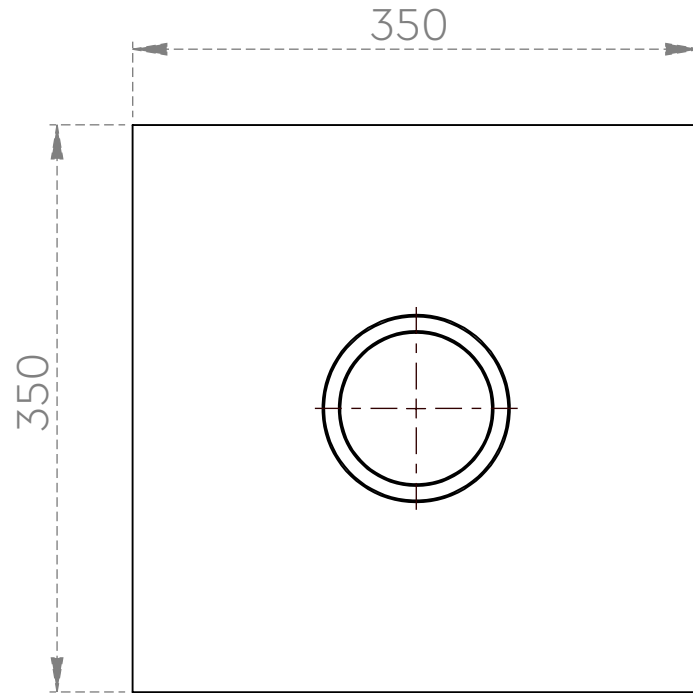
TECHNICAL DRAWING SHEET



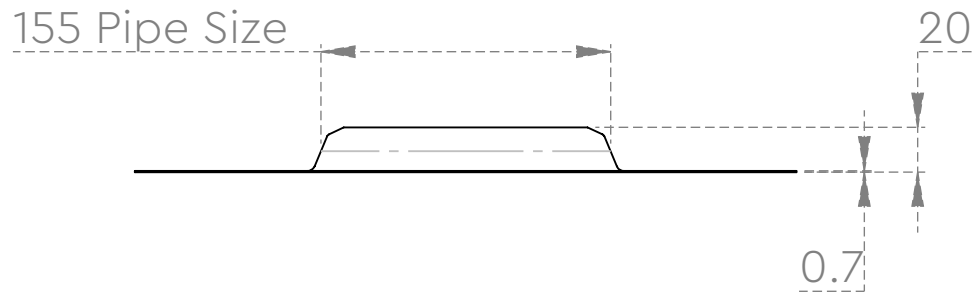
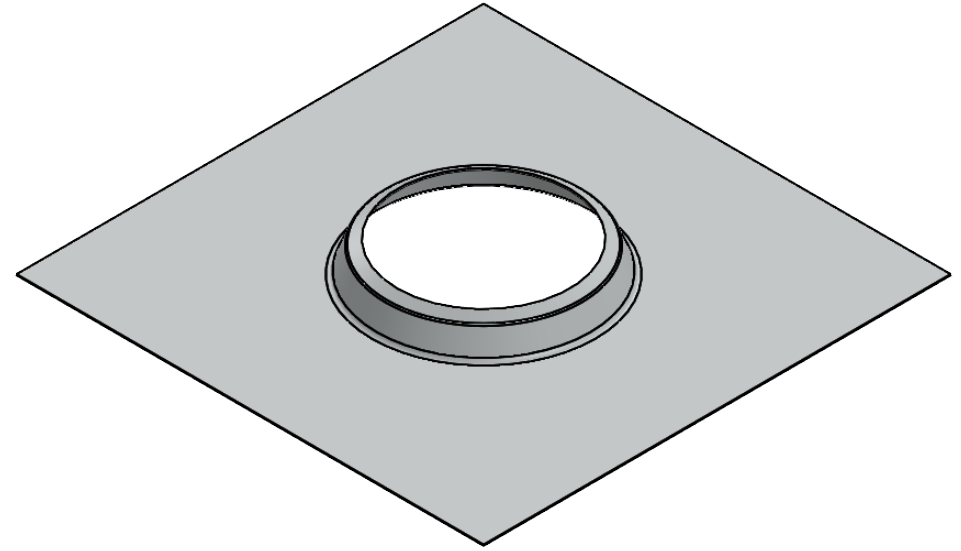
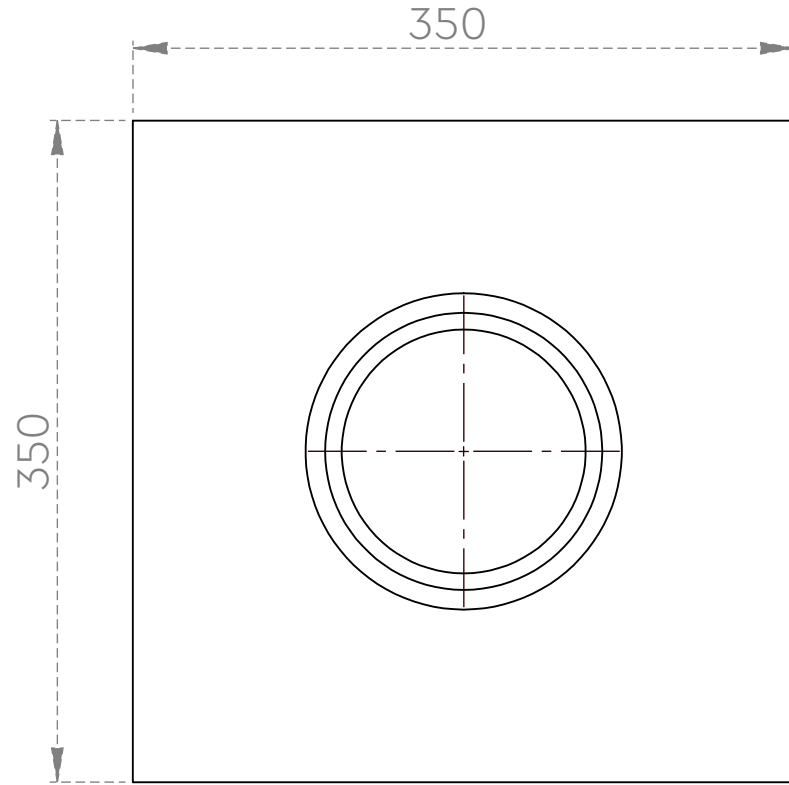
TECHNICAL DRAWING SHEET



TECHNICAL DRAWING SHEET



TECHNICAL DRAWING SHEET



TECHNICAL DRAWING SHEET

