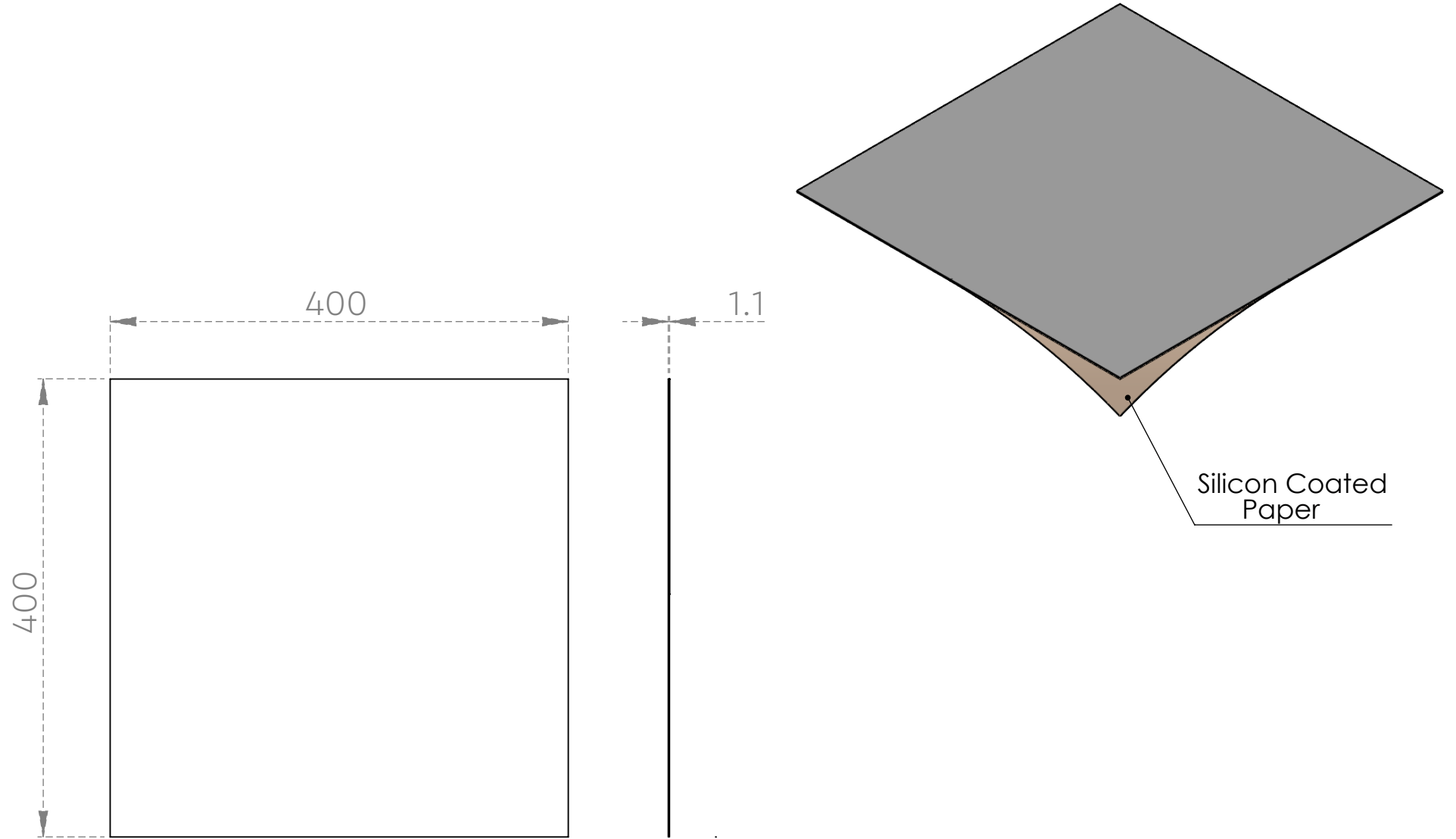
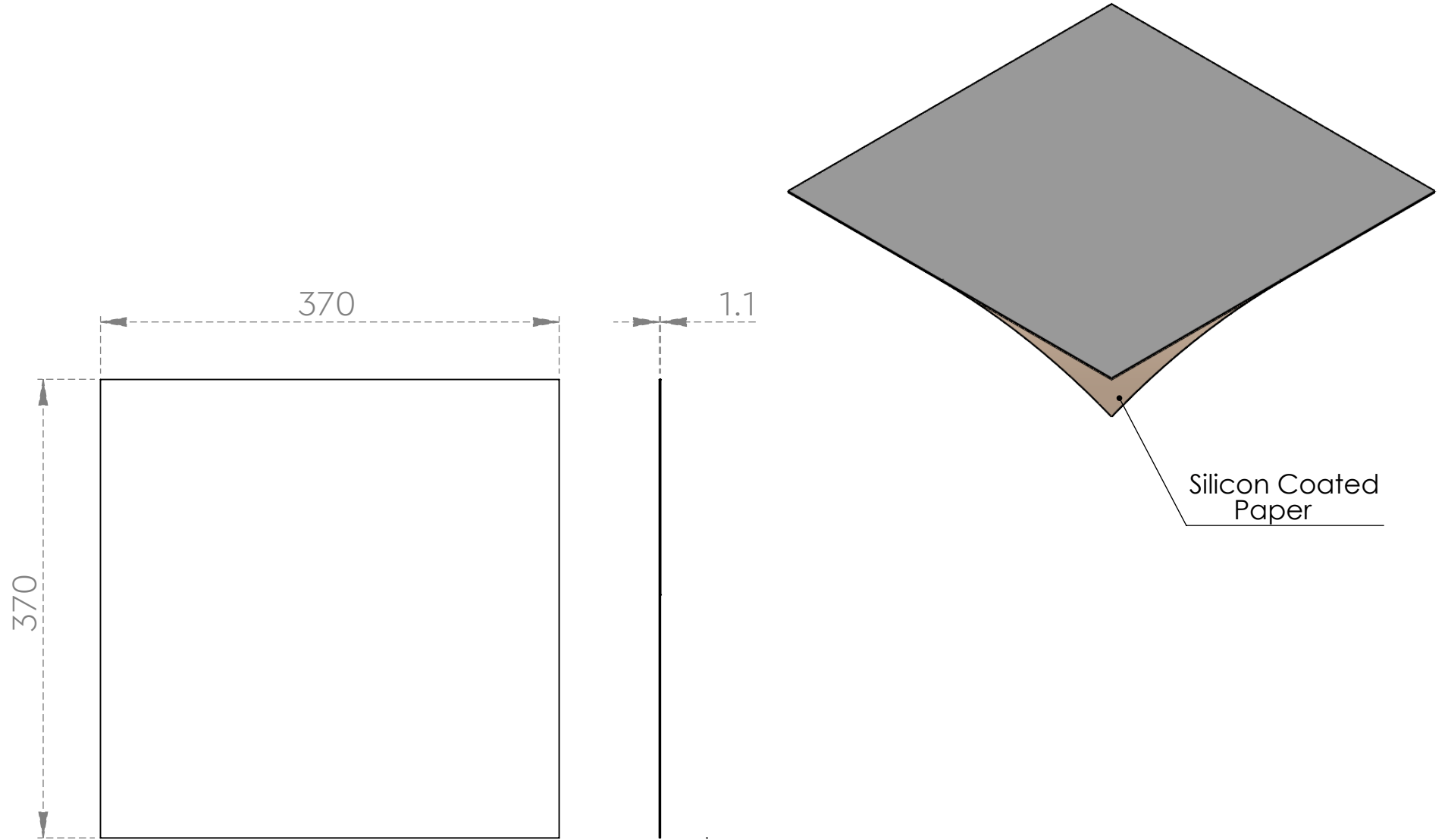


TECHNICAL DRAWING SHEET



TECHNICAL DRAWING SHEET



TECHNICAL DRAWING SHEET

