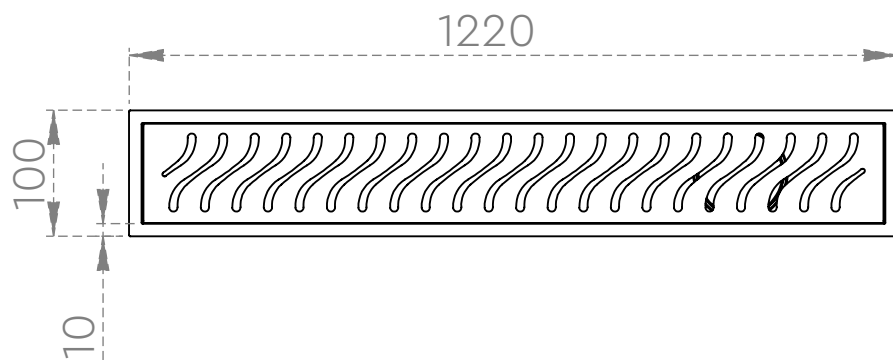
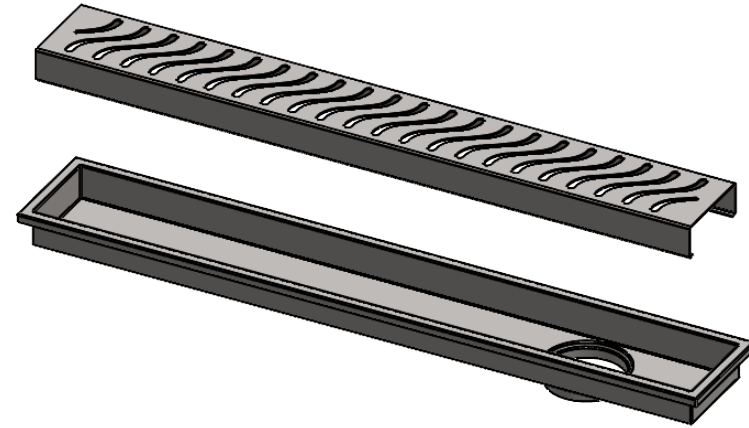
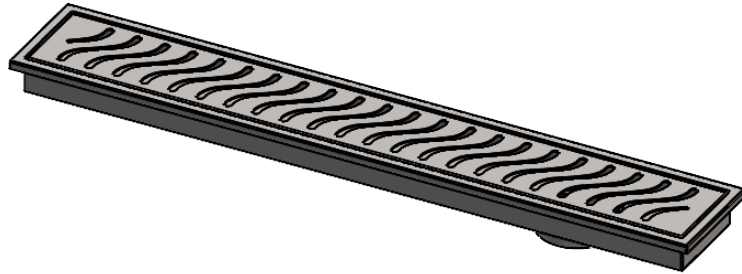
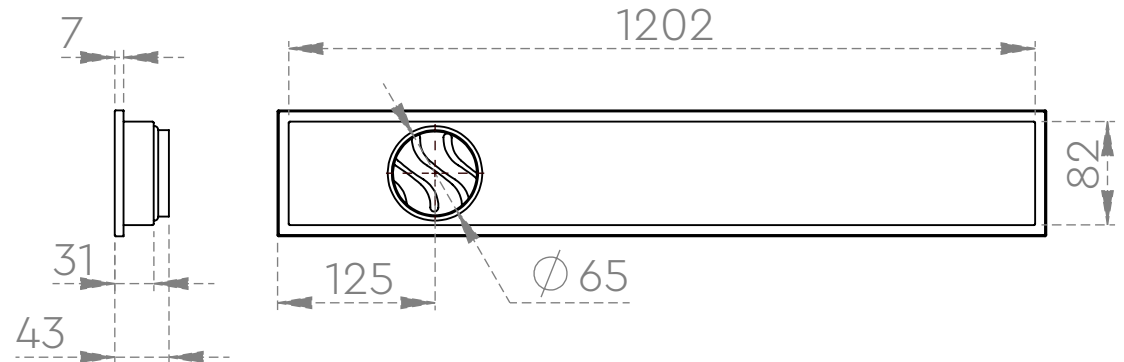


TECHNICAL DRAWING SHEET



Front

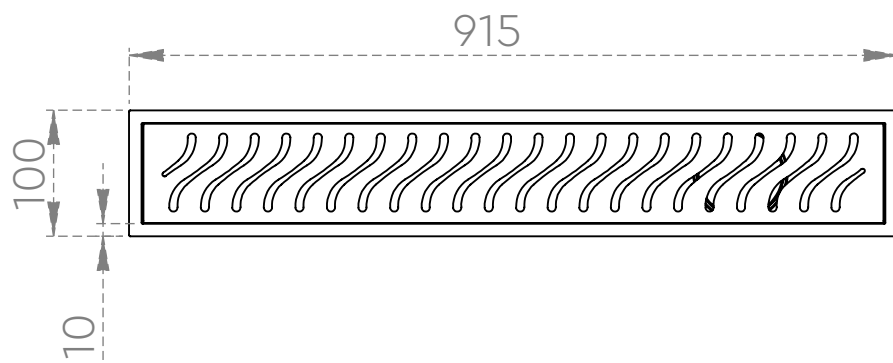
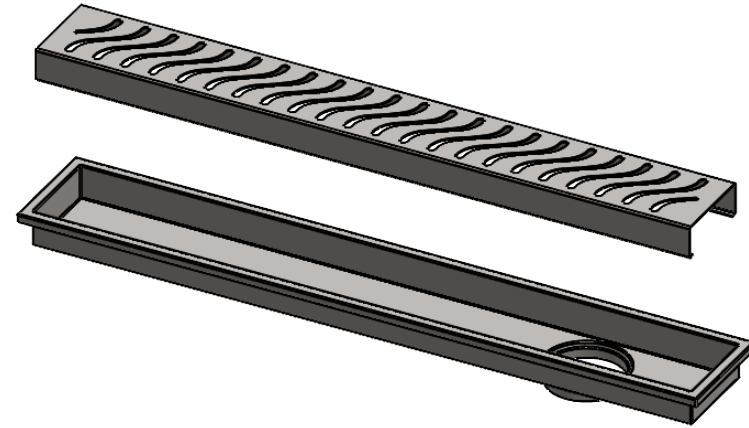
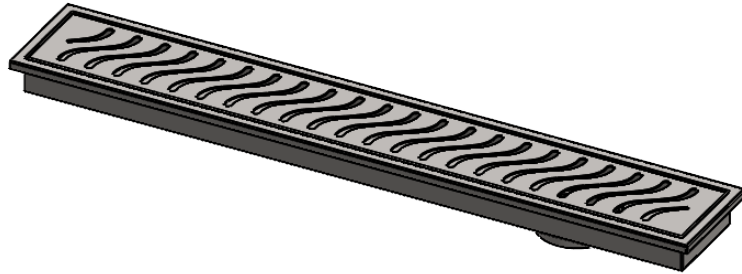


Back

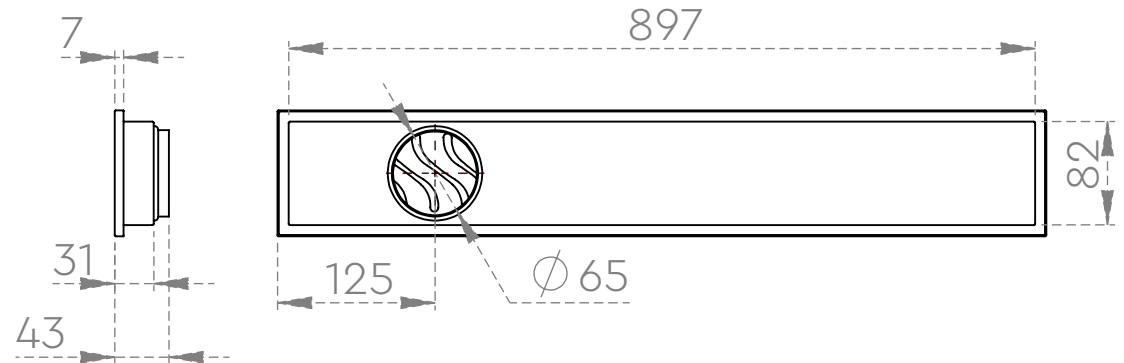
Note :-

- Frame made from 1mm sheet
- Grating made from 1mm sheet

TECHNICAL DRAWING SHEET



Front

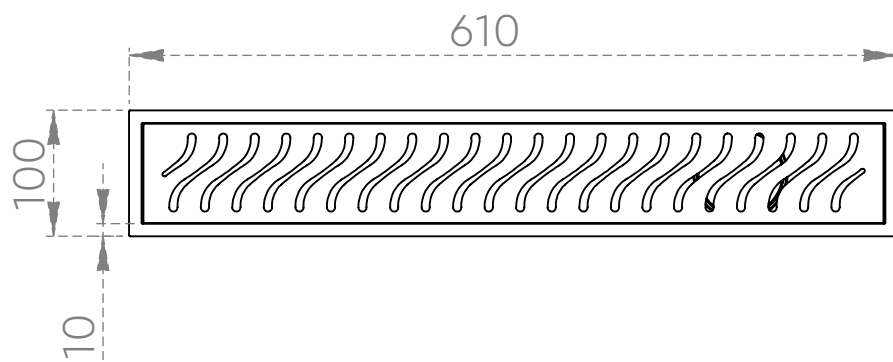
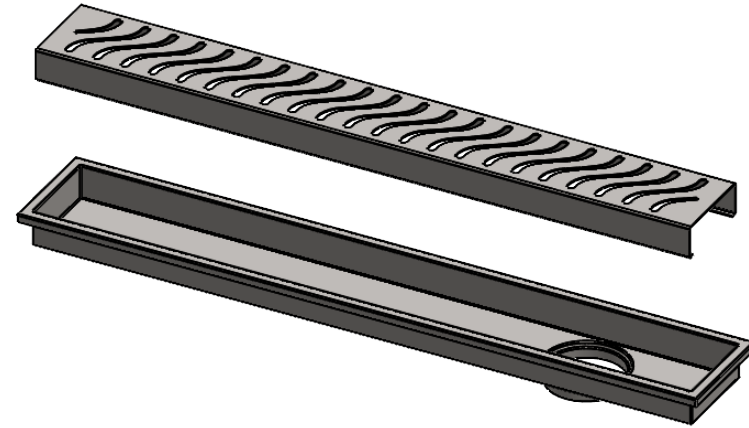
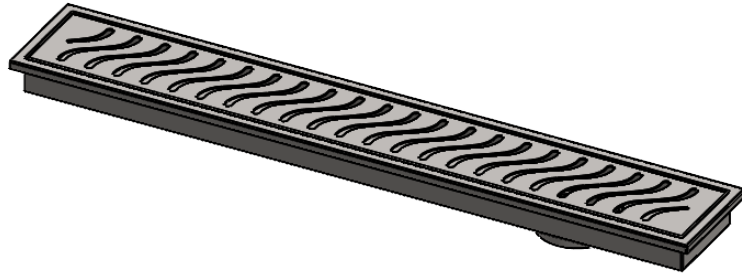


Back

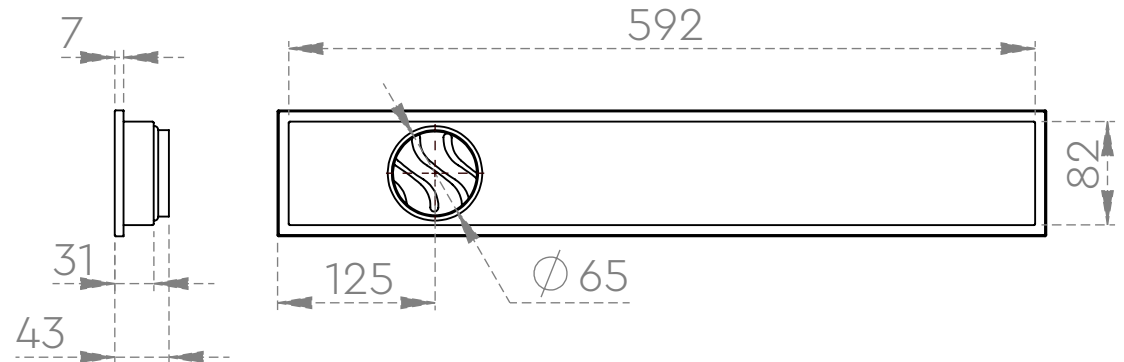
Note :-

- Frame made from 1mm sheet
- Grating made from 1mm sheet

TECHNICAL DRAWING SHEET



Front

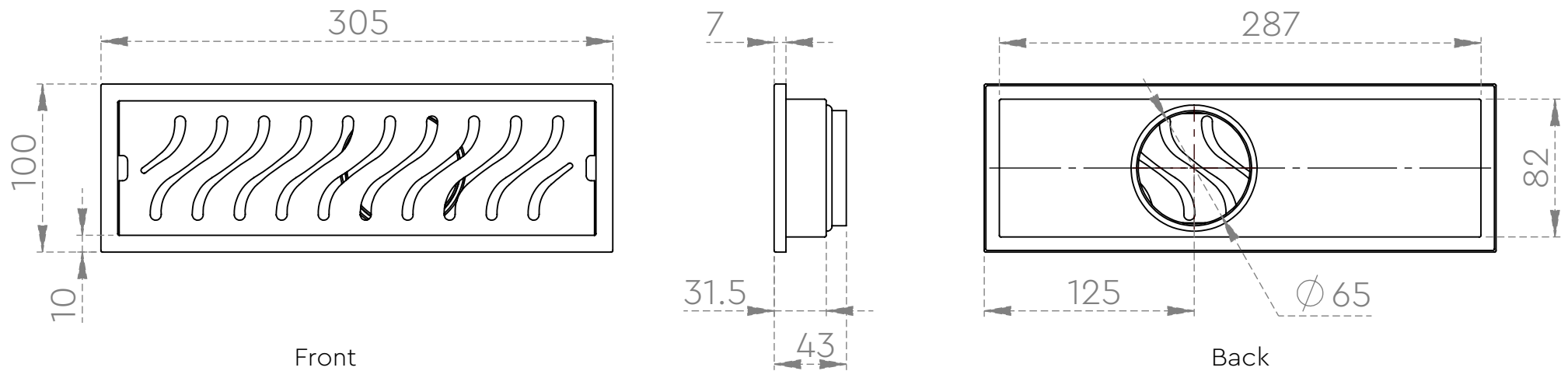
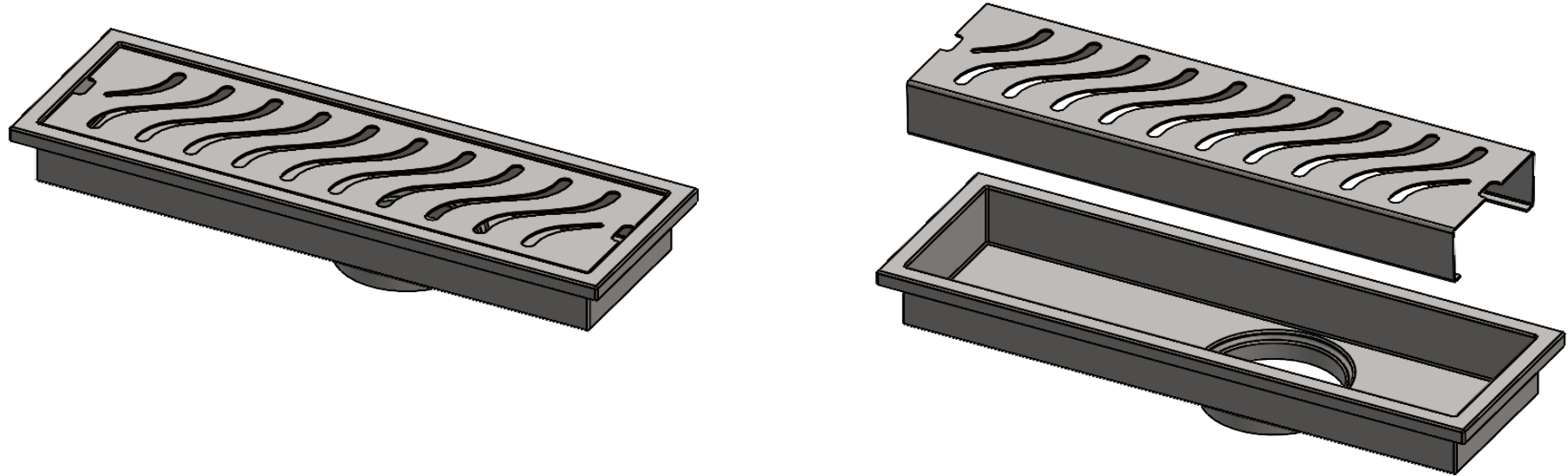


Back

Note :-

- Frame made from 1mm sheet
- Grating made from 1mm sheet

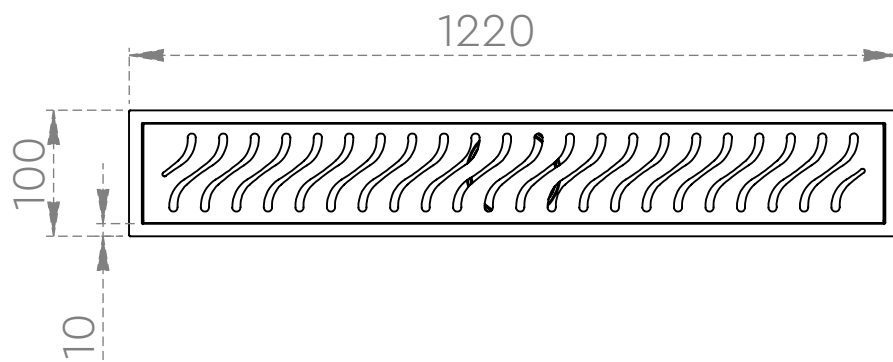
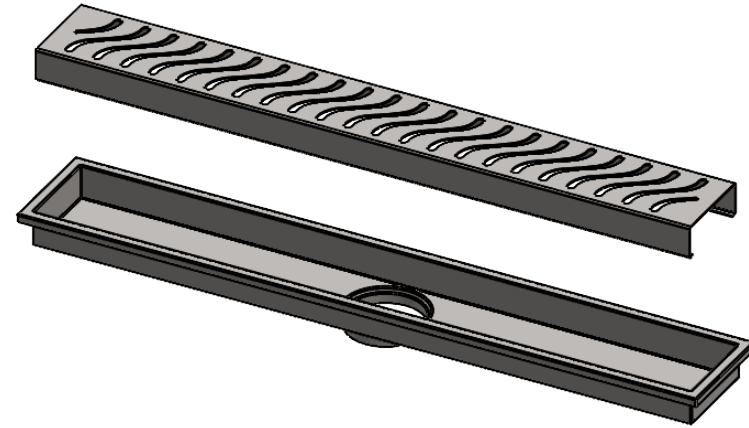
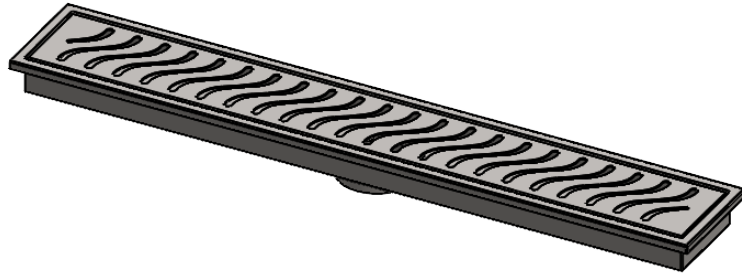
TECHNICAL DRAWING SHEET



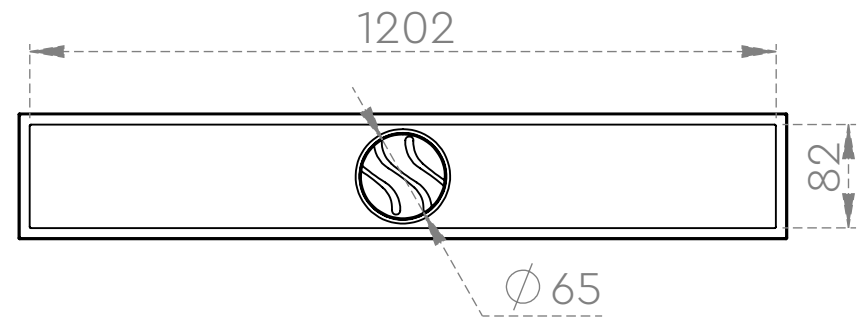
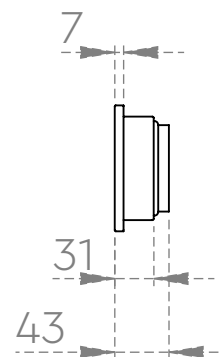
Note :-

- Frame made from 1mm sheet
- Grating made from 1mm sheet

TECHNICAL DRAWING SHEET



Front

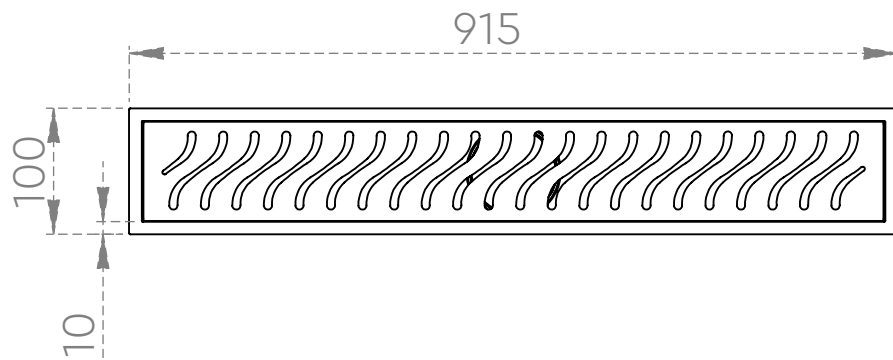
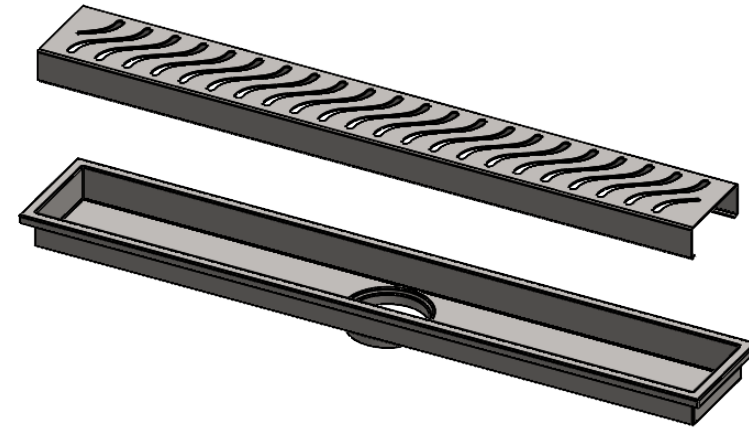
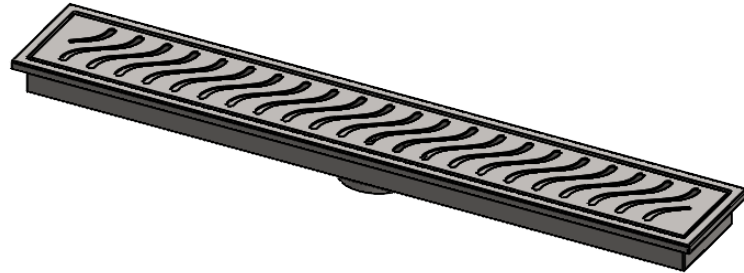


Back

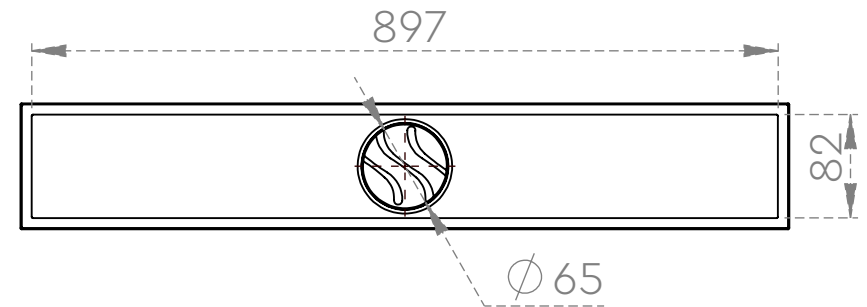
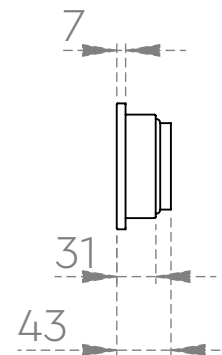
Note :-

- Frame made from 1mm sheet
- Grating made from 1mm sheet

TECHNICAL DRAWING SHEET



Front

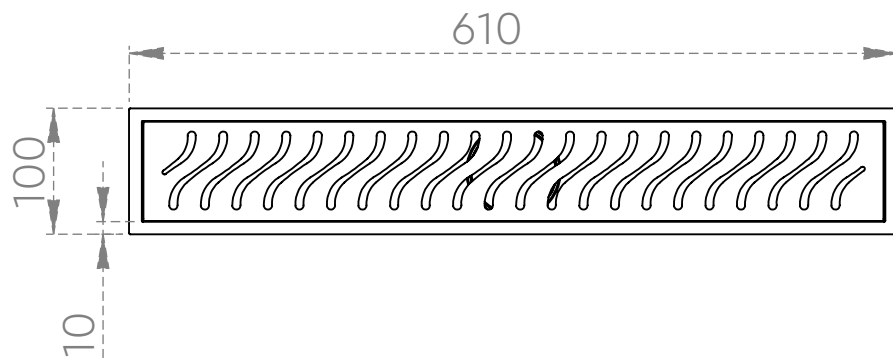
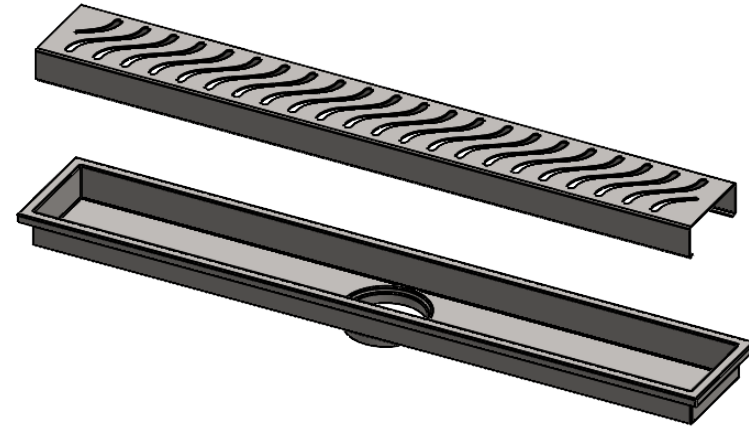
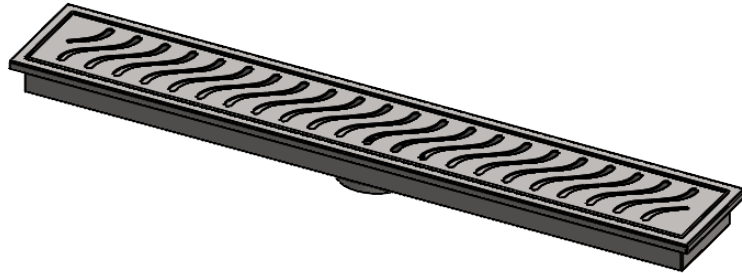


Back

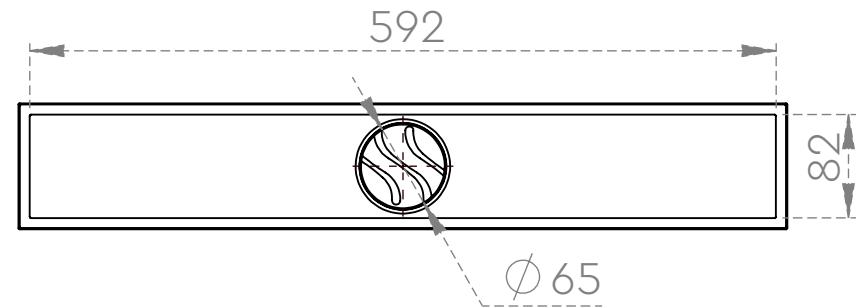
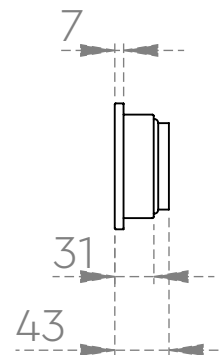
Note :-

- Frame made from 1mm sheet
- Grating made from 1mm sheet

TECHNICAL DRAWING SHEET



Front

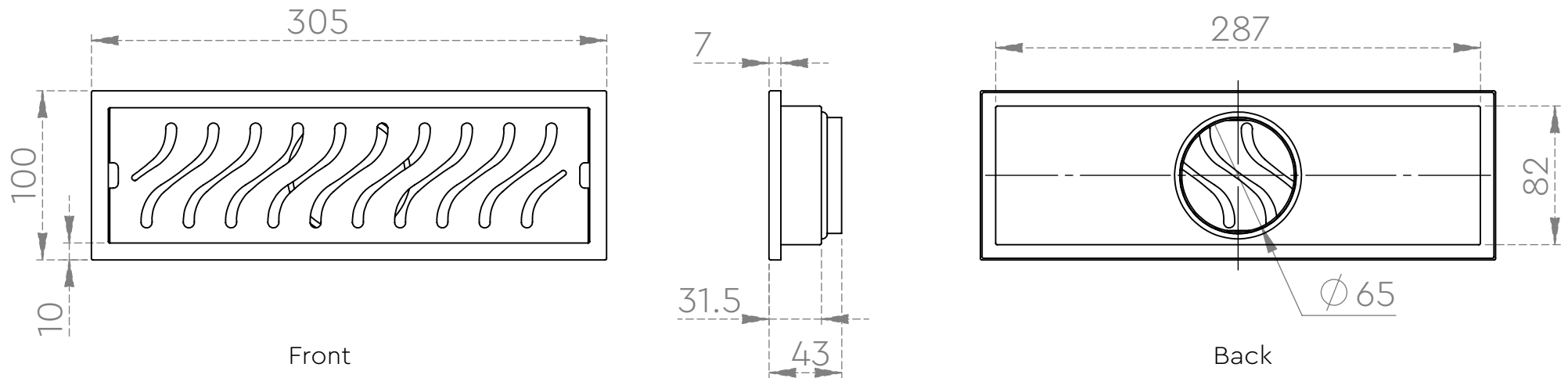
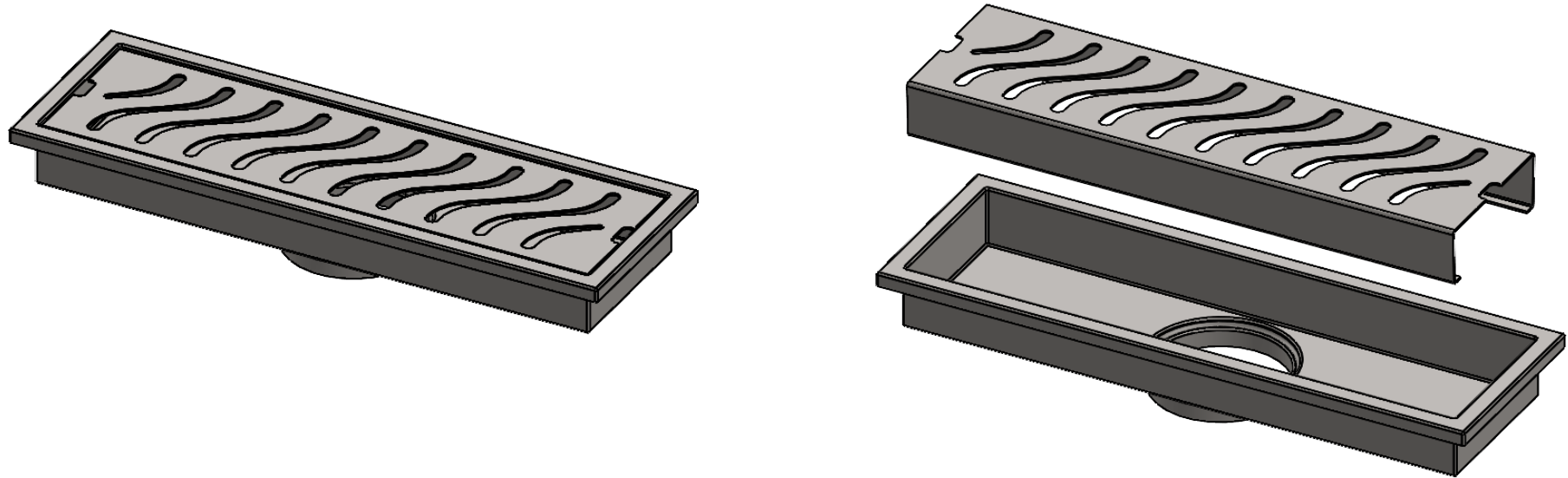


Back

Note :-

- Frame made from 1mm sheet
- Grating made from 1mm sheet

TECHNICAL DRAWING SHEET



Note :-

- Frame made from 1mm sheet
- Grating made from 1mm sheet