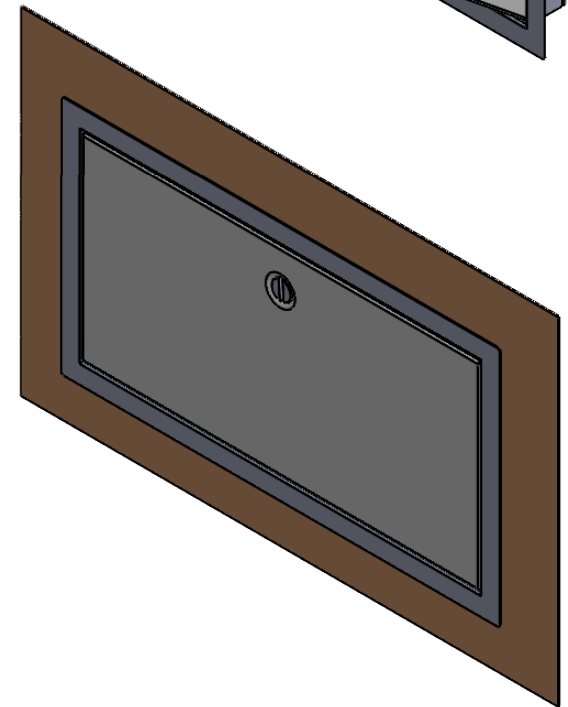
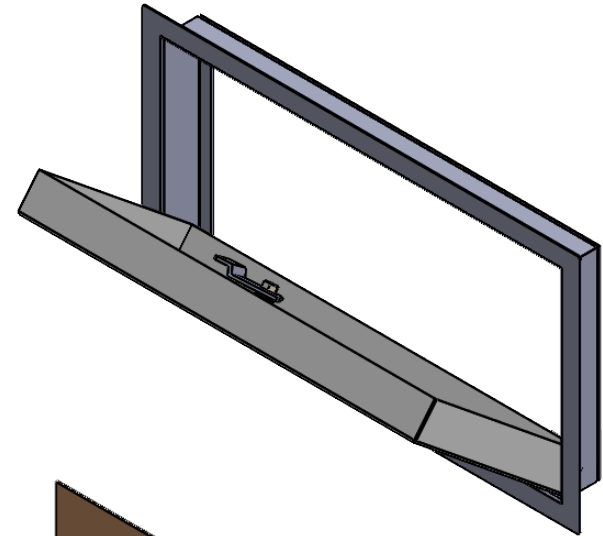
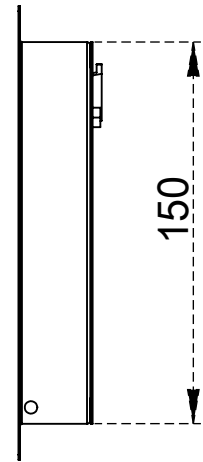
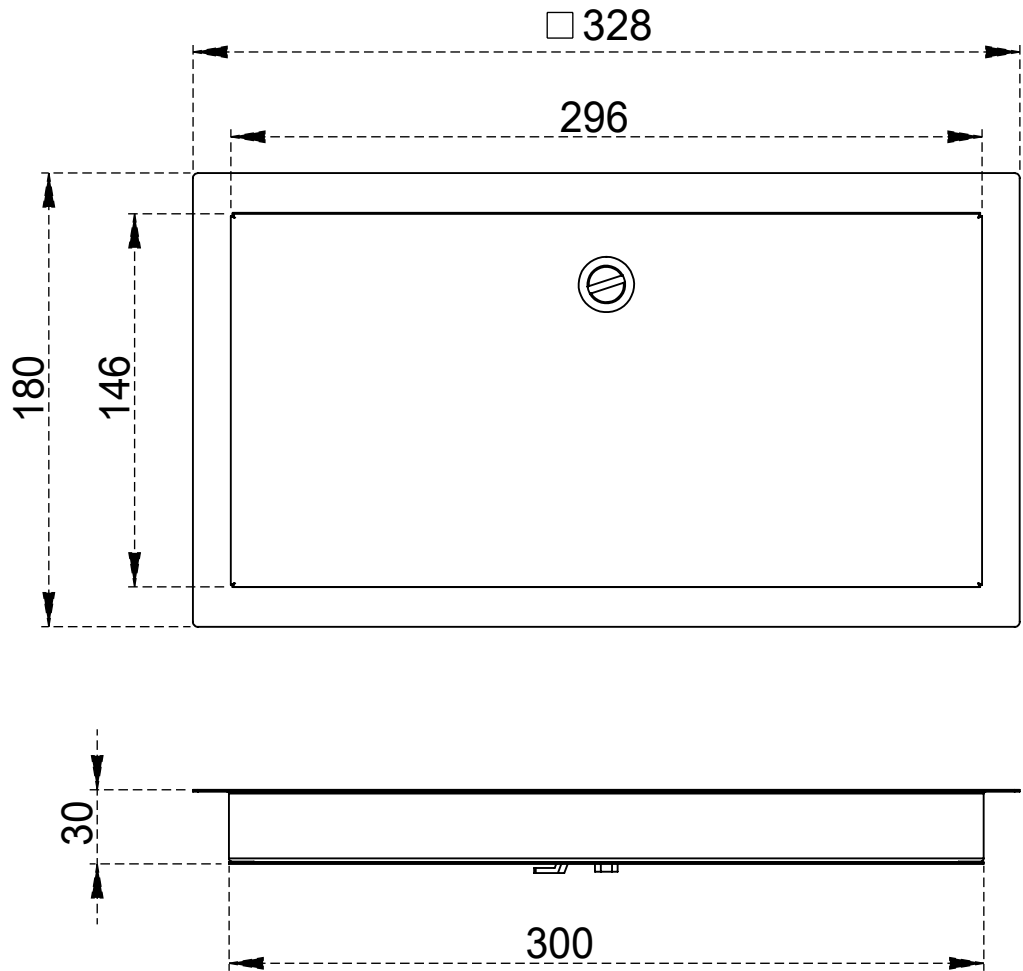


TECHNICAL DRAWING SHEET



Note :-

- Cover and frame made from 0.7 mm sheet.