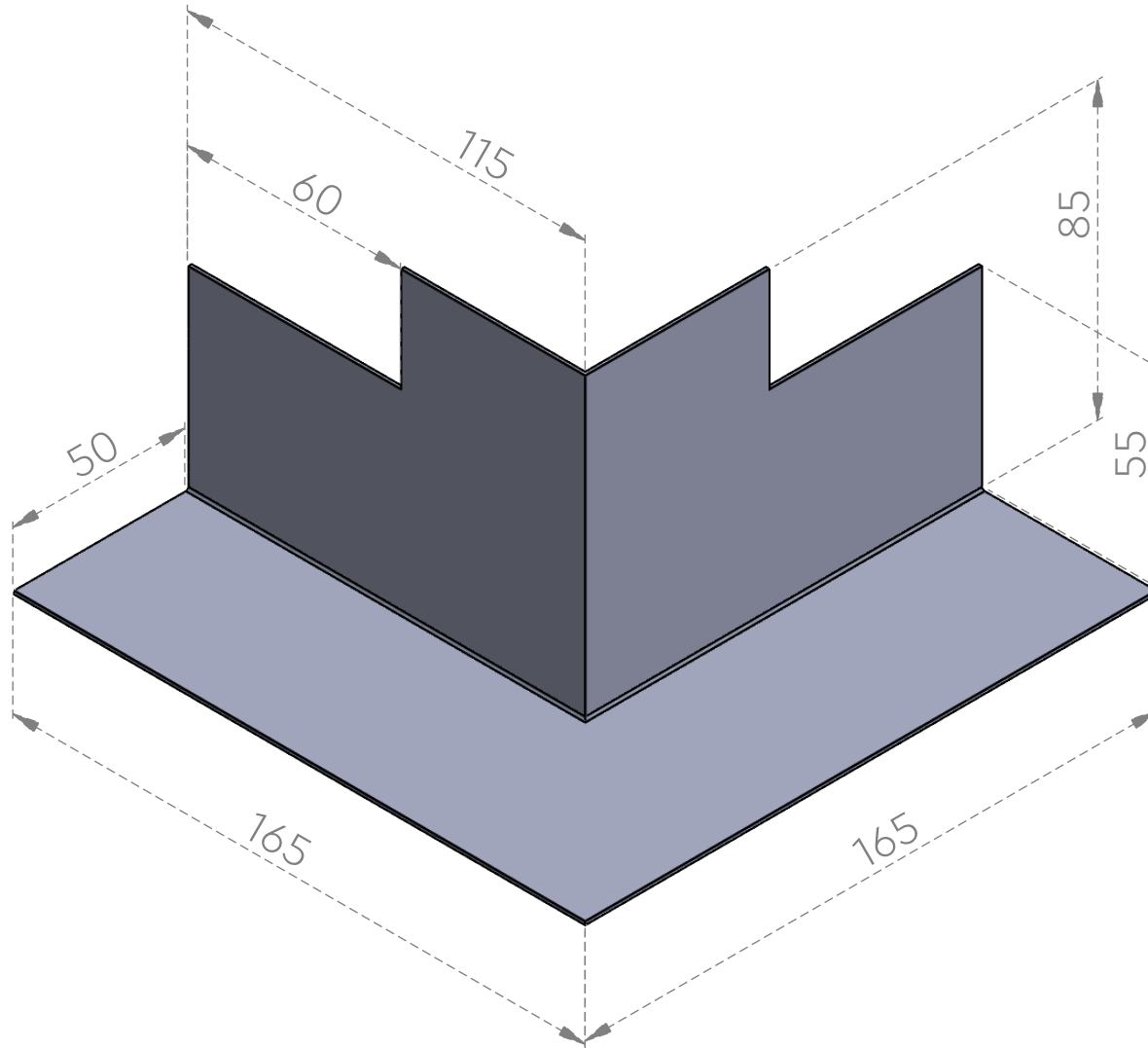


# TECHNICAL DRAWING SHEET



Note :-

- Thickness 0.45 mm